

Solace™ Technical Specification

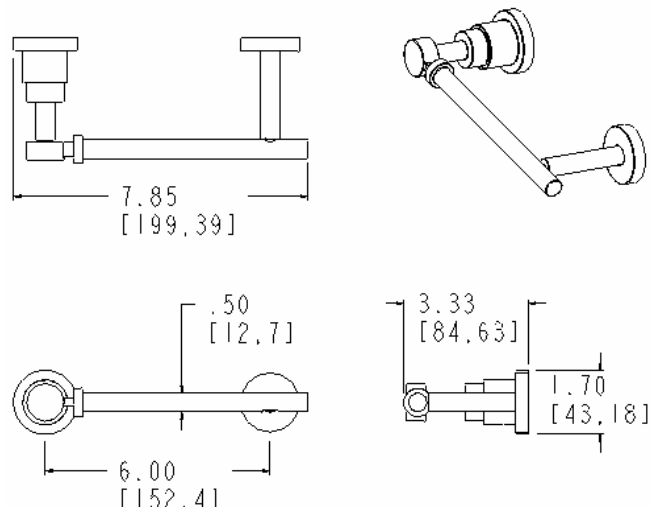
Paper Holder

YB9908

Stock Numbers:

- q **YB9908BN – Pivoting Paper Holder**
Brushed Nickel Finish
- q **YB9908CH – Pivoting Paper Holder**
Chrome Finish

Dimensions:



Materials:

Paper Holder is constructed of solid brass.

Installation Instructions:

1. Position the mounting template on the wall in the desired location. Using a level, align the template and tape it to the wall.
2. Drill 4 holes on template using 1/4" drill.
3. Remove template from wall.
4. Remove the screws and washers from each of the 4 wall anchors in the hardware kit. Set the screws and washers aside for later use.
5. Insert the hollow wall anchors into the 4 holes in the wall by lightly tapping with a hammer until flush.
6. Remove mounting posts from end post assembly by loosening setscrew.
7. Place mounting post over the wall anchors with notch facing down. Insert the screws and washers through the slots in the mounting posts and into the wall anchors.
8. To activate the wall anchors, turn screws until you feel increased resistance.
9. Remove skirt from right post by unscrewing.
10. Place chrome tall post over right anchors. Insert the screws and washers through the holes and into the wall anchors.
11. To activate the wall anchors, turn screws until you feel increased resistance.
12. Screw cover over right post until flush with wall.
13. Place pivoting assembly over left mounting post and tighten set screw.

Cleaning Instructions:

To preserve the fine finish of this product, clean only with a soft damp cloth. Dry well. Do not use commercial or abrasive cleaners.

Stock Number: _____ **Paper Holder**
By Creative Specialties



25300 AL MOEN DRIVE • NORTH OLMS TED, OH 44070
CORPORATE HEADQUARTERS: (800) 321-8809 • FAX: (800) 848-6636
INTERNATIONAL: (440) 962-2000 • FAX: (440) 962-2726
CUSTOMER SERVICE (USA): 800-882-0116 • FAX: (888) 379-2720

©Copyright Creative Specialties International 2006

Literature #BA1301