

# Bamboo® Technical Specification

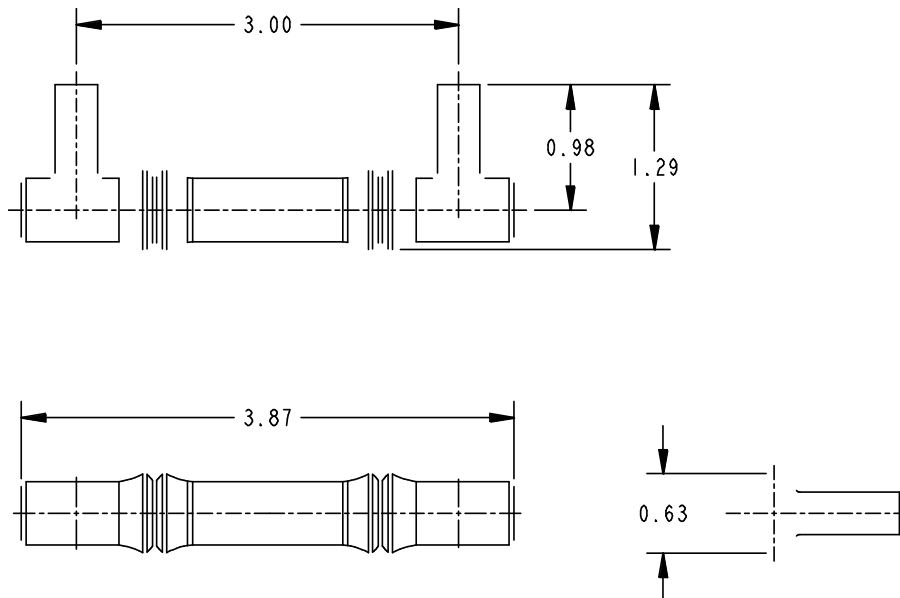
## Drawer Pull

# YB9507

### Stock Numbers:

- YB9507BN – Drawer Pull  
Brushed Nickel Finish

### Dimensions:



### Materials:

Drawer Pulls are constructed of zinc.

### Installation Instructions:

1. Drawer pulls will require two 3/16" holes.
2. The distance between holes is 3" on center.
3. Using a level, mark the location of the two holes.
4. Use a 3/16" drill bit to drill two holes.
5. Insert the screws into each hole.
6. Place the drawer pull over the screws.
7. Use a Phillips screwdriver to tighten screws.

### Cleaning Instructions:

To preserve the fine finish of this product, clean only with a soft damp cloth. Dry well. Do not use commercial or abrasive cleaners.

**Stock Number:** \_\_\_\_\_ **Drawer Pull**  
**By Creative Specialties**



25300 AL MOEN DRIVE • NORTH OLMSTED, OH 44070  
CORPORATE HEADQUARTERS: (800) 321-8809 • FAX: (800) 848-6636  
INTERNATIONAL: (440) 962-2000 • FAX: (440) 962-2726  
CUSTOMER SERVICE (USA): 800-882-0116 • FAX: (888) 379-2720  
WWW.MOEN.COM

©Copyright Creative Specialties International

Literature #BA1555