

# Savvy™ Technical Specification

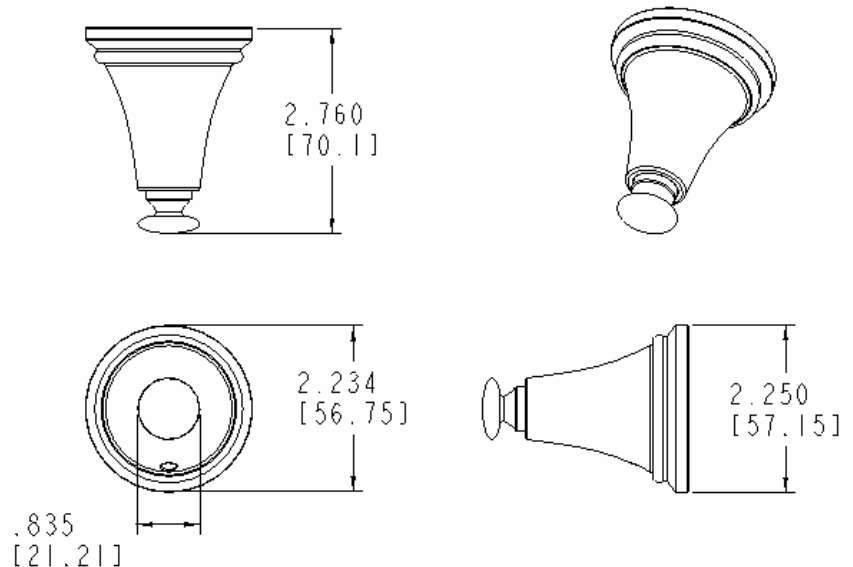
## Robe Hook

# YB9403

### Stock Numbers:

- q **YB9403CH – Robe Hook**  
Chrome Finish
- q **YB9403BN – Robe Hook**  
Brushed Nickel Finish
- q **YB9403BB – Robe Hook**  
Brushed Bronze Finish

### Dimensions:



### Materials:

**Towel Bar** is constructed of zinc.

### Installation Instructions:

1. Position the mounting template on the wall in the desired location.
2. Remove the mounting post from the body by loosening the setscrew.
3. Place the mounting post on the template with notch facing down.
4. Drill a 1/4" hole at the center of the oval marked location.
5. Remove the template from the wall and insert the wall anchor (provided) into the drilled hole.
6. Place the mounting plate on the wall over the installed wall anchor. Insert screw through the mounting plate into the anchor. Tighten the screw.
7. Position robe hook with the setscrew down, and place over mounting post. Tighten the setscrew.

### Cleaning Instructions:

To preserve the fine finish of this product, clean only with a soft damp cloth. Dry well. Do not use commercial or abrasive cleaners.

**Stock Number:** \_\_\_\_\_ **Robe Hook**  
**By Creative Specialties**



25300 AL MOEN DRIVE • NORTH OLMSTED, OH 44070  
CORPORATE HEADQUARTERS: (800) 321-8809 • FAX: (800) 848-6636  
INTERNATIONAL: (440) 962-2000 • FAX: (440) 962-2726  
CUSTOMER SERVICE (USA): 800-882-0116 • FAX: (888) 379-2720  
WWW.SHOWHOUSE.MOEN.COM

©Copyright Creative Specialties International 2006

Literature #BA1376