

Casa™ Technical Specification

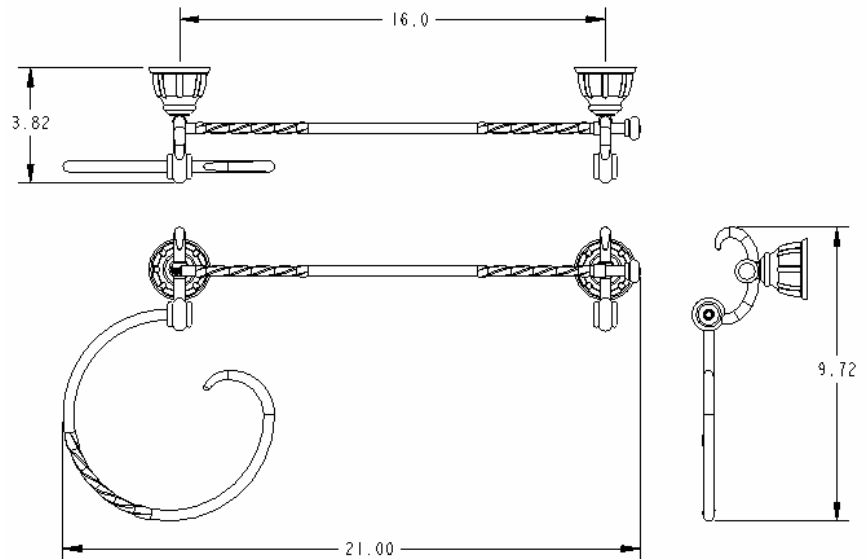
Towel Bar / Towel Ring Combo

YB9096

Stock Numbers:

- q YB9096WR – Towel Bar / Towel Ring Combo
Wrought Iron Finish

Dimensions:



Materials:

Towel Bar / Towel Ring Combo is constructed of zinc.

Installation Instructions:

1. Position the mounting template on the wall in the desired location. Using a level, align the template and tape it to the wall.
2. Remove each mounting post from the body by loosening the setscrew.
3. Place each mounting post on the template with notch facing down.
4. One at a time, place each anchor screw through the mounting post, centered in the hole. Only insert screw 1/2 to 3/4 into wall.
5. Using a Phillips screwdriver, turn the anchor screw while applying pressure. Screw will self drill and tap into drywall.
6. After all screws are installed, tear the template away from the wall.
7. Tighten all 4 screws. Do not over-tighten.
8. Place skirt over each mounting post.

Cleaning Instructions:

To preserve the fine finish of this product, clean only with a soft damp cloth. Dry well. Do not use commercial or abrasive cleaners.

Stock Number: _____ Towel Bar / Towel Ring Combo
By Creative Specialties



25300 AL MOEN DRIVE • NORTH OLMSTED, OH 44070
CORPORATE HEADQUARTERS: (800) 321-8809 • FAX: (800) 848-6636
INTERNATIONAL: (440) 962-2000 • FAX: (440) 962-2726
CUSTOMER SERVICE (USA): 800-882-0116 • FAX: (888) 379-2720

©Copyright Creative Specialties International 2004

Literature #BA1205