

Organic™ Technical Specification

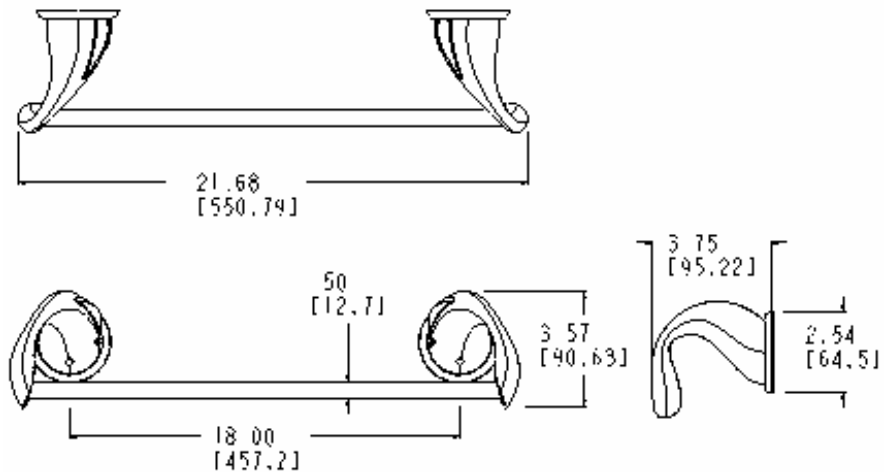
18" Towel Bar

YB7618

Stock Numbers:

- q YB7618BN – 18" Towel Bar
Brushed Nickel Finish

Dimensions:



Materials:

Towel bar is constructed of zinc.

Installation Instructions:

1. Remove each mounting post from the body by loosening the setscrew.
2. Position the mounting template on the wall in the desired location. Using a level, align the template and tape it to the wall.
3. Drill the 2 hole locations of each mounting bracket.
4. Attach each mounting post to the wall, using the wall anchors provided.
5. Assemble the Towel bar and posts. Mount each base on the corresponding mounting post. Check and make sure that the base set screw hole(s) are facing down. Assemble setscrews to each base. Use the Allen wrench included in hardware kit to tighten each setscrew and secure the assembly to the mounting bracket(s).
6. Tighten setscrews. Do not over tighten.

Cleaning Instructions:

To preserve the fine finish of this product, clean only with a soft damp cloth. Dry well. Do not use commercial or abrasive cleaners.

Stock Number: _____ Towel Bar
By Creative Specialties



25300 AL MOEN DRIVE • NORTH OLMSTED, OH 44070
CORPORATE HEADQUARTERS: (800) 321-8809 • FAX: (800) 848-6636
INTERNATIONAL: (440) 962-2000 • FAX: (440) 962-2726
CUSTOMER SERVICE (USA): 800-882-0116 • FAX: (888) 379-2720

©Copyright Creative Specialties International 2005

Literature #BA1286