

Organic™ Technical Specification

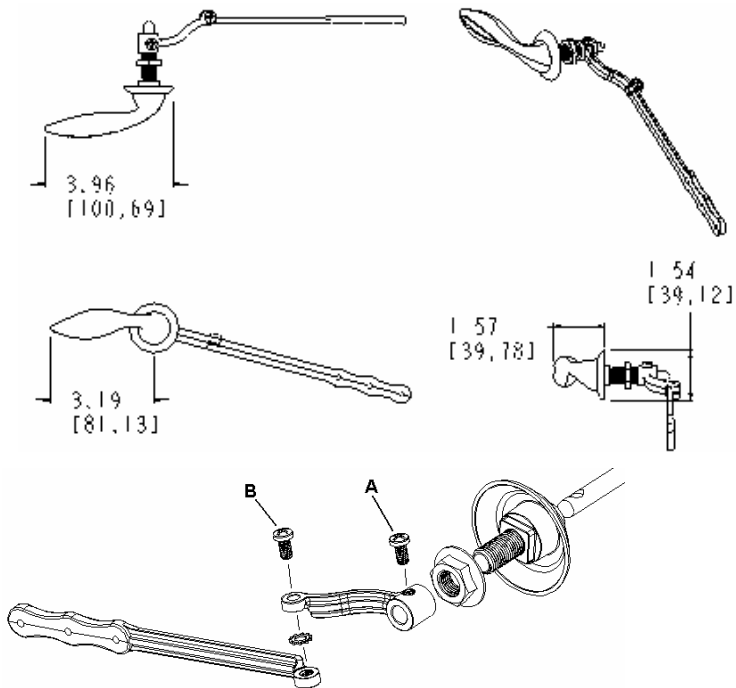
Tank Lever

YB7601

Stock Numbers:

- q **YB7601BN – Tank Lever**
Brushed Nickel Finish

Dimensions:



Materials:

Tank Lever is constructed of zinc hub and lever. Arm mechanism is brass.

Installation Instructions:

1. Remove existing tank lever.
2. Remove the brass arm mechanism from the new tank lever by loosening screw A.
3. Position the new tank lever through the flush tank hole.
4. The tank lever handle should be pointing away from the toilet bowl.
5. Install the brass nut inside the tank and tighten. Depending on the curvature of the tank, there might be a slight gap between the outside of the tank and the base of the lever.
6. Loosen, but do not remove screw B on the arm mechanism.
7. Replace the entire brass arm mechanism onto the tank lever.
8. Tighten screw A.
9. Adjust the brass arm mechanism so it does not come in contact with the tank wall or any part of the flush mechanism parts inside the tank.
10. Tighten the adjustment screw (screw B) on the brass arm mechanism.
11. Attach the flapper valve chain to one of the three holes provided on the brass arm.
12. Make sure that the arm does not activate, and no water is leaking thru the flapper valve when the handle is in its normal position, (not flushing).

Cleaning Instructions:

To preserve the fine finish of this product, clean only with a soft damp cloth. Dry well. Do not use commercial or abrasive cleaners.

Stock Number: _____ **Tank Lever**
By Creative Specialties



25300 AL MOEN DRIVE • NORTH OLMS TED, OH 44070
CORPORATE HEADQUARTERS: (800) 321-8809 • FAX: (800) 848-6636
INTERNATIONAL: (440) 962-2000 • FAX: (440) 962-2726
CUSTOMER SERVICE (USA): 800-882-0116 • FAX: (888) 379-2720

©Copyright Creative Specialties International 2005

Literature #BA1282