

Mannerly™ Technical Specification

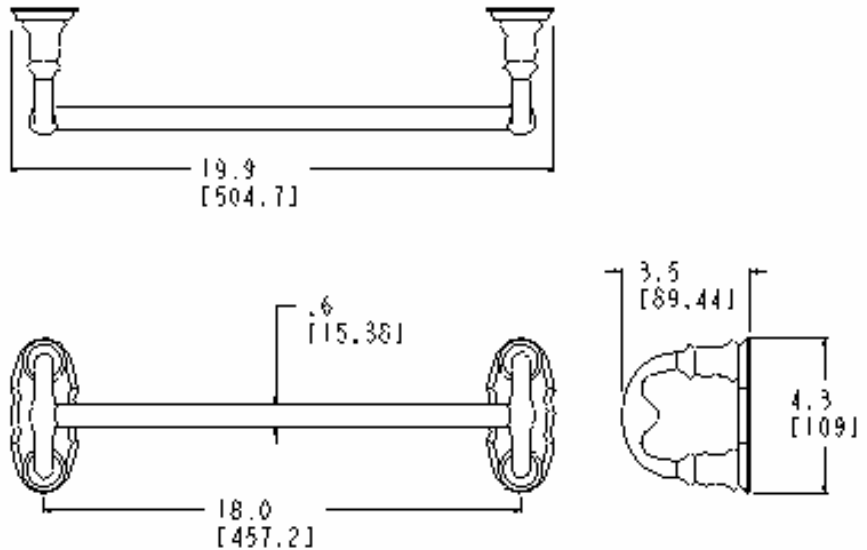
18" Towel Bar

YB7518

Stock Numbers:

- q YB7518NL – 18" Towel Bar
Polished Nickel Finish

Dimensions:



Materials:

Towel bar posts are constructed of zinc. Bar is aluminum.

Installation Instructions:

1. Remove each mounting post from the body by loosening the setscrews.
2. Position the mounting template on the wall in the desired location. Using a level, align the template and tape it to the wall.
3. Drill 2 holes per post in marked locations.
4. Attach each mounting post to the wall, using the wall anchors provided.
5. Assemble the towel bar and posts.
6. While assembled, position each end post with the setscrews down and place over mounting posts. Tighten the 4 setscrews at the bottom of each base.

Cleaning Instructions:

To preserve the fine finish of this product, clean only with a soft damp cloth. Dry well. Do not use commercial or abrasive cleaners.

Stock Number: _____ Towel Bar
By Creative Specialties



25300 AL MOEN DRIVE • NORTH OLMSDED, OH 44070
CORPORATE HEADQUARTERS: (800) 321-8809 • FAX: (800) 848-6636
INTERNATIONAL: (440) 962-2000 • FAX: (440) 962-2726
CUSTOMER SERVICE (USA): 800-882-0116 • FAX: (888) 379-2720

©Copyright Creative Specialties International 2005

Literature #BA1279