

# Kingsley® Technical Specification

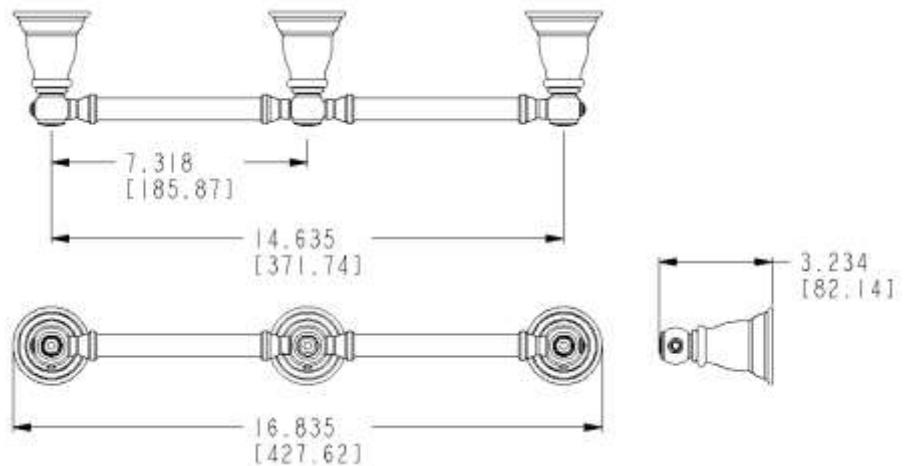
## Three Post Paper Holder

# YB5488

### Stock Numbers:

- YB5488CH – Three Post Paper Holder  
Chrome Finish

### Dimensions:



### Materials:

Three Post Paper Holder is constructed of zinc.

### Installation Instructions:

1. Remove the mounting post from the body by loosening the set screw.
2. Position the mounting template on the wall in the desired location. Using a level, align the template and tape it to the wall.
3. Place each mounting post on the template.
4. One at a time, place each anchor screw through the mounting plate, centered in the large hole. Using a Phillips screw driver, turn the anchor screw while applying pressure. Screw will self-drill and tap into drywall.
5. Only insert screw 1/2" to 3/4" into drywall.
6. After all screws are installed, tear the template away from wall.
7. Tighten all four screws. Do not over tighten.
8. Place each post over the mounting plate (set screw down).

### Cleaning Instructions:

To preserve the fine finish of this product, clean only with a soft damp cloth. Dry well. Do not use commercial or abrasive cleaners.

**Stock Number:** \_\_\_\_\_ Three Post Paper Holder  
By Creative Specialties



25300 AL MOEN DRIVE • NORTH OLMSTED, OH 44070  
CORPORATE HEADQUARTERS: (800) 321-8809 • FAX: (800) 848-6636  
INTERNATIONAL: (440) 962-2000 • FAX: (440) 962-2726  
CUSTOMER SERVICE (USA): 800-882-0116 • FAX: (888) 379-2720  
WWW.MOEN.COM

©Copyright Creative Specialties International

Literature #BA1458