

# Decorator Technical Specification

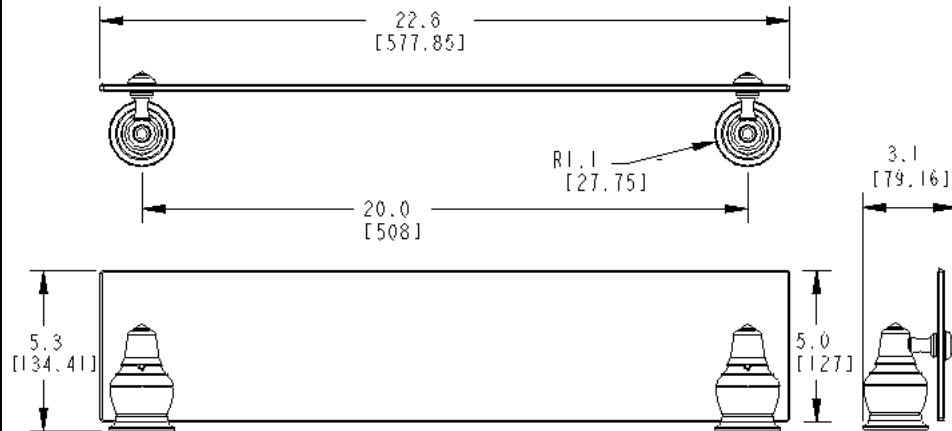
## Glass Shelf

# YB4790

### Stock Numbers:

- YB4790BN – Glass Shelf  
Brushed Nickel Finish  
Wholesale Packaging

### Dimensions:



### Materials:

**Glass Shelves** are constructed of zinc except for accent rings and caps that are brass and shelf that is tempered glass.

### Installation Instructions:

1. Position the assembled unit on the wall where desired.
2. Lightly mark the outline of each base.
3. Remove the mounting brackets from the back of the fixture by loosening the setscrews with the allen wrench provided.
4. Center the mounting brackets in the outlines. Make sure the arrows are pointing up and the setscrew holes are facing down.
5. Mark the hole locations.
6. Attach the brackets to the wall. Mounting into wood studs or use of toggle bolts is recommended whenever possible.
7. Mount the bases on the brackets, followed by the end caps. Tighten the setscrews to secure the assembly to the brackets.

### Cleaning Instructions:

To preserve the fine finish of this product, clean only with a soft damp cloth. Dry well. Do not use commercial or abrasive cleaners.

**Stock Number:** \_\_\_\_\_ **Glass Shelf**  
**By Creative Specialties**

25300 AL MOEN DRIVE • NORTH OLMSTED, OH 44070  
CORPORATE HEADQUARTERS: (800) 321-8809 • FAX: (800) 848-6636  
INTERNATIONAL: (440) 962-2000 • FAX: (440) 962-2726  
CUSTOMER SERVICE (USA): 800-882-0116 • FAX: (888) 379-2720  
WWW.MOEN.COM

©Copyright Creative Specialties International

Literature #BA1098

