

# Castleby Technical Specification

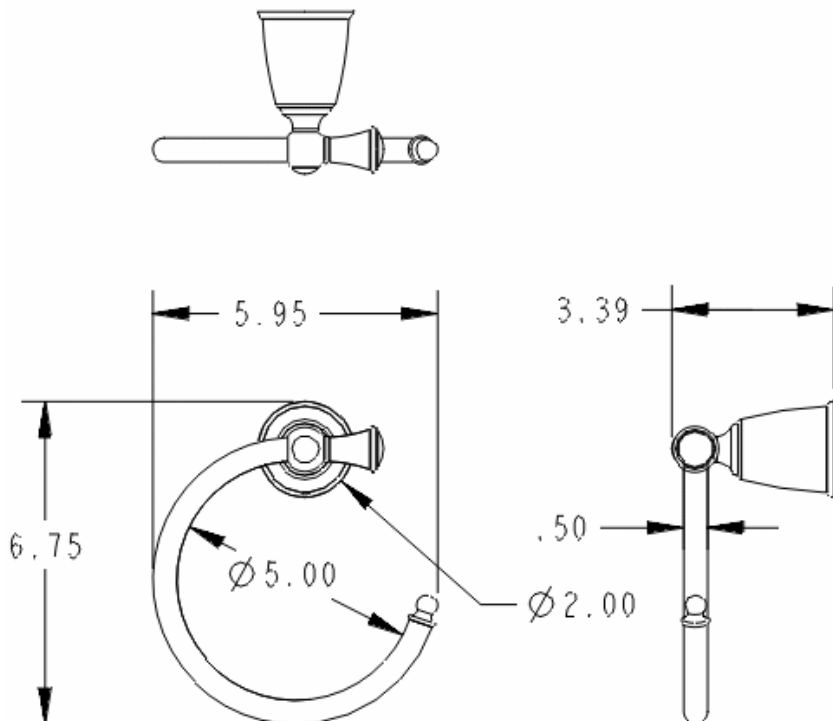
## Towel Ring

# Y2586

### Stock Numbers:

- q **YB2586CH – Towel Ring**  
Chrome Finish  
Wholesale Packaging
- q **YB2586CP – Towel Ring**  
Chrome & Polished Brass Finish  
Wholesale Packaging
- q **YB2586STP – Towel Ring**  
Satine or Satine & Polished Brass Finish  
Wholesale Packaging
- q **YB2586BN – Towel Ring**  
Brushed Nickel Finish  
Wholesale Packaging

### Dimensions:



### Materials:

**Towel Ring** post is constructed of zinc. Ring is aluminum.

### Installation Instructions:

1. Place metal bracket at desired position on the wall. Position slots to be vertical.
2. One at a time, place each anchor screw through the bracket, centered in the hole. Using a Phillips screwdriver, turn the anchor screw while applying pressure. Screw will self drill and tap into drywall.
3. Do not over tighten.
4. Place the post with the setscrew down, over mounting bracket. Tighten the setscrew at the bottom of the base.

### Cleaning Instructions:

To preserve the fine finish of this product, clean only with a soft damp cloth. Dry well. Do not use commercial or abrasive cleaners.

**Stock Number:** \_\_\_\_\_ **Towel Ring**  
By CSI Bath Furnishings



25300 AL MOEN DRIVE • NORTH OLMSTED, OH 44070  
CORPORATE HEADQUARTERS: (800) 321-8809 • FAX: (800) 848-6636  
INTERNATIONAL: (440) 962-2000 • FAX: (440) 962-2726  
CUSTOMER SERVICE (USA): 800-882-0116 • FAX: (888) 379-2720  
WWW.CSI.MOEN.COM

©Copyright Creative Specialties International 2006

Literature #BA1107