

KLIO™ Technical Specification

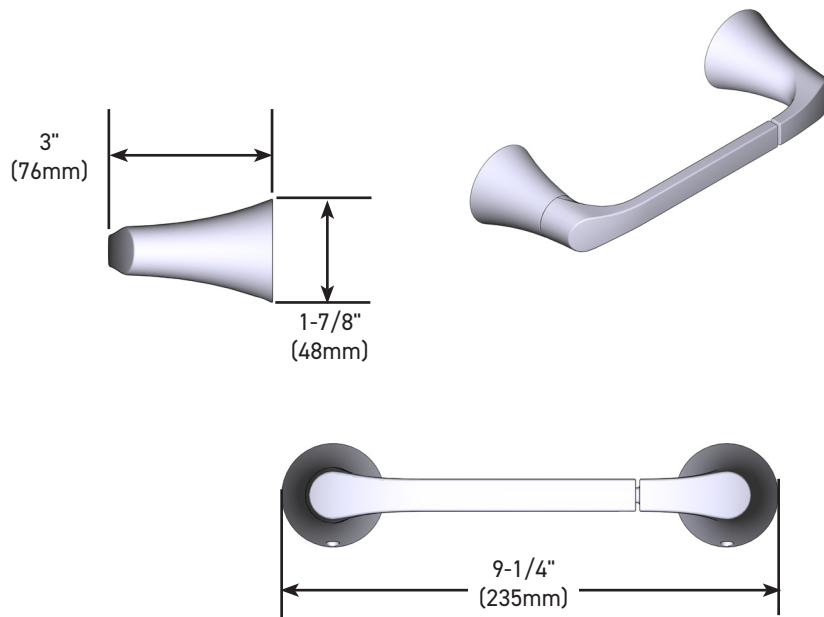
Pivoting Paper Holder

YB1808

Stock Numbers:

- YB1808CH – Pivoting Paper Holder
Chrome

Dimensions:



Materials:

Pivoting Paper Holder is constructed of zinc.

Installation Instructions:

Tools Required: Phillips screwdriver, drill, 1/4" drill bit, hammer, level, tape
Hardware Kit Contents: 2 anchors, 1 hex wrench.

Note: Directions below are for installation into drywall. If installing product into a stud, use the wood screws only.

- 1) Position the mounting template on the wall in the desired location.
- 2) Using a level, align the template and tape it to the wall.
- 3) Drill two 1/4" holes at each mounting post location that corresponds to your product. (We recommend using the horizontal holes for drywall installation).
- 4) Remove the template from the wall.
- 5) Lightly tap anchors until flush with the wall.
- 6) Remove mounting posts from the product assemblies by loosening each setscrew.
- 7) One at a time, place each mounting post over anchors (notch facing downward) and insert screws through post into anchors.
- 8) Tighten screws.

Cleaning Instructions:

To preserve the fine finish of this product, clean only with a soft damp cloth. Dry well. Do not use commercial or abrasive cleaners.

Stock Number: YB1808 Pivoting Paper Holder

25300 AL MOEN DRIVE • NORTH OLMSTED, OH 44070
CORPORATE HEADQUARTERS: (800) 321-8809 • FAX: (800) 848-6636
INTERNATIONAL: (440) 962-2000 • FAX: (440) 962-2726
CUSTOMER SERVICE (USA): 800-882-0116 • FAX: (888) 379-2720
WWW.MOEN.COM

© 2022 Moen Incorporated. Moen is a registered trademark and KLIO is a trademark of Moen Incorporated. All rights reserved.

MOEN®