

Moen® Technical Specification

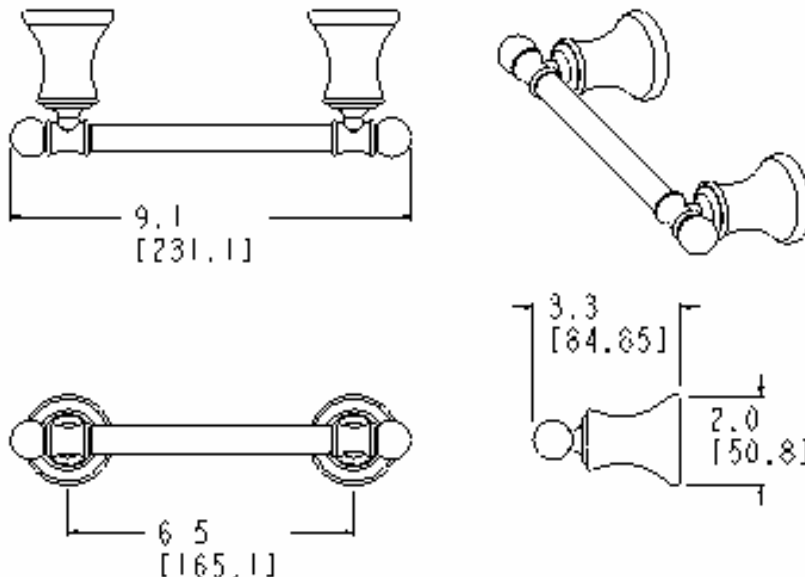
Paper Holder

Y4408

Stock Numbers:

- q Y4408BN – Pivoting Paper Holder
Brushed Nickel Finish
- q Y4408CH – Pivoting Paper Holder
Chrome Finish
- q Y4408ORB – Pivoting Paper Holder
Oil Rubbed Bronze Finish

Dimensions:



Materials:

Paper Holder is constructed of zinc.

Installation Instructions:

1. Remove the mounting bracket from the body by loosening the setscrew.
2. Position the mounting template on the wall in the desired location. Using a level, align the template and tape it to the wall.
3. Drill 1/4" holes at the center of each oval marked location.
4. Remove the template from the wall and insert the wall anchors (provided) into each drilled hole.
5. Place the mounting plate on the wall over the installed wall anchors. Insert screws through the mounting plate into the anchors. Tighten the screws.
6. Place each post over the mounting plate (setscrew down). Pivoting post with bar will be on left side. Tighten both setscrews.

Cleaning Instructions:

To preserve the fine finish of this product, clean only with a soft damp cloth. Dry well. Do not use commercial or abrasive cleaners.

Stock Number: _____ Paper Holder
By Creative Specialties



25300 AL MOEN DRIVE • NORTH OLMSTED, OH 44070
CORPORATE HEADQUARTERS: (800) 321-8809 • FAX: (800) 848-6636
INTERNATIONAL: (440) 962-2000 • FAX: (440) 962-2726
CUSTOMER SERVICE (USA): 800-882-0116 • FAX: (888) 379-2720

©Copyright Creative Specialties International 2005

Literature #BA1305