

# Mikah™ Technical Specification

## Towel Shelf

# Y0794

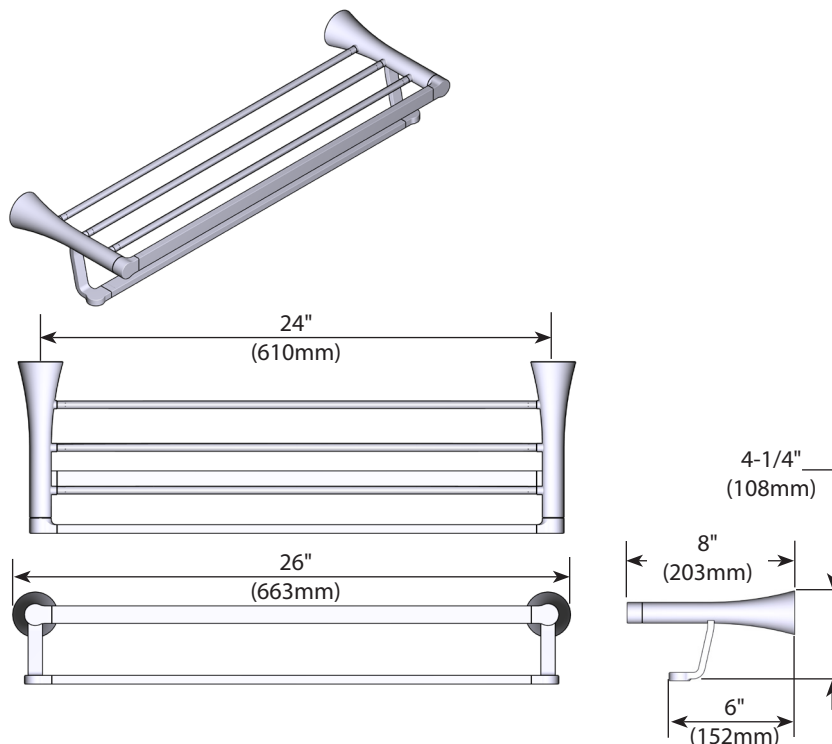
### Stock Numbers:

- Y0794BN – Towel Shelf**  
Brushed Nickel
- Y0794BL – Towel Shelf**  
Matte Black

### Materials:

**Towel Shelf** is constructed of zinc.

### Dimensions:



### Installation Instructions:

**Tools Required:** Phillips screwdriver, drill, 1/2" drill bit, 1/4" drill bit for concrete, hammer, level, tape

**Hardware Kit Contents:** 4 metal toggle bolts, 1 hex wrench.

**Note:** Directions below are for installation into drywall or concrete.

1. Remove mounting brackets from the posts by loosening the set screws.
2. Position the mounting template on the wall in the desired location. Using a level, align the template and tape it to the wall.
3. Mark 2 hole locations at each mounting post for your corresponding product.
4. Remove the template from the wall.

#### For Drywall Installation follow steps 5A

- 5a-1) Drill 1/2" holes in marked hole locations.
- 5a-2) Remove toggles from bolts and insert bolts through mounting brackets.
- 5a-3) Rethread toggles to bolts
- 5a-4) Attach mounting brackets to wall (with arrow pointing up) by inserting toggles into holes and tightening all bolts.
6. Place decorative product over the mounting brackets with set screw down. Tighten both set screws

### Cleaning Instructions:

To preserve the fine finish of this product, clean only with a soft damp cloth. Dry well. Do not use commercial or abrasive cleaners.

**Stock Number:** Y0794 Towel Shelf

25300 AL MOEN DRIVE • NORTH OLMSTED, OH 44070  
CORPORATE HEADQUARTERS: (800) 321-8809 • FAX: (800) 848-6636  
INTERNATIONAL: (440) 962-2000 • FAX: (440) 962-2726  
CUSTOMER SERVICE (USA): 800-882-0116 • FAX: (888) 379-2720  
WWW.MOEN.COM

© 2021 Moen Incorporated. Moen is a registered trademark and Mikah is a trademark of Moen Incorporated. All rights reserved.

# MOEN®