



Buy it for looks. Buy it for life.®

*There is more than 1 version of this model.  
Page down to identify the version you have.*

**DESCRIPTION**

- Metal construction with various finishes identified by suffix
- 1/2" IPS connections for flexible hoses only; not for use with rigid or semi-rigid supply risers (3/8" Copper or Pex) with coupling nuts
- Installation through 3 holes, 1" min. diameter, and 4" on center
- Includes pop-up type waste assembly

**OPERATION**

- Lever style handles
- Maximum handle rotation angle is 90° to full on
- Hot side counterclockwise to open (clockwise to close)
- Cold side clockwise to open (counter-clockwise to close)
- Rotating spout

**FLOW**

- Water usage is limited to these maximum flow rates as indicated by the corresponding product markings  
° 1.2 gpm max (4.5L/min) at 60 psi

**CARTRIDGE**

- 1224 cartridge design
- Nonmetallic and stainless steel material

**STANDARDS**

- Third party certified at WaterSense®, ASME A112.18.1/CSA B125.1, and all applicable requirements referenced therein including NSF 61/9 & 372
- Products marked with 1.2 gpm are compliant with California water efficiency regulations
- Complies with California Proposition 65 and with the Federal Safe Drinking Water Act
- **ADA** ♿ for lever handles

**WARRANTY**

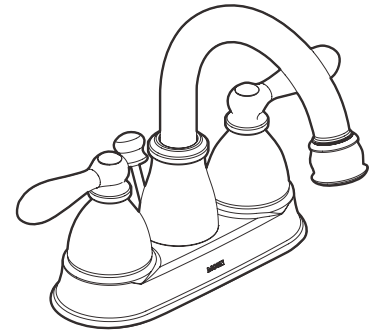
- Limited lifetime warranty against leaks, drips and finish defects to the original homeowner
- 10 year warranty when used in a multifamily installation
- 5 year warranty when used in a commercial installation

Visit [www.moen.com/support](http://www.moen.com/support) for complete details and limitations

**OPTIONS (See Illustrated Parts page)**

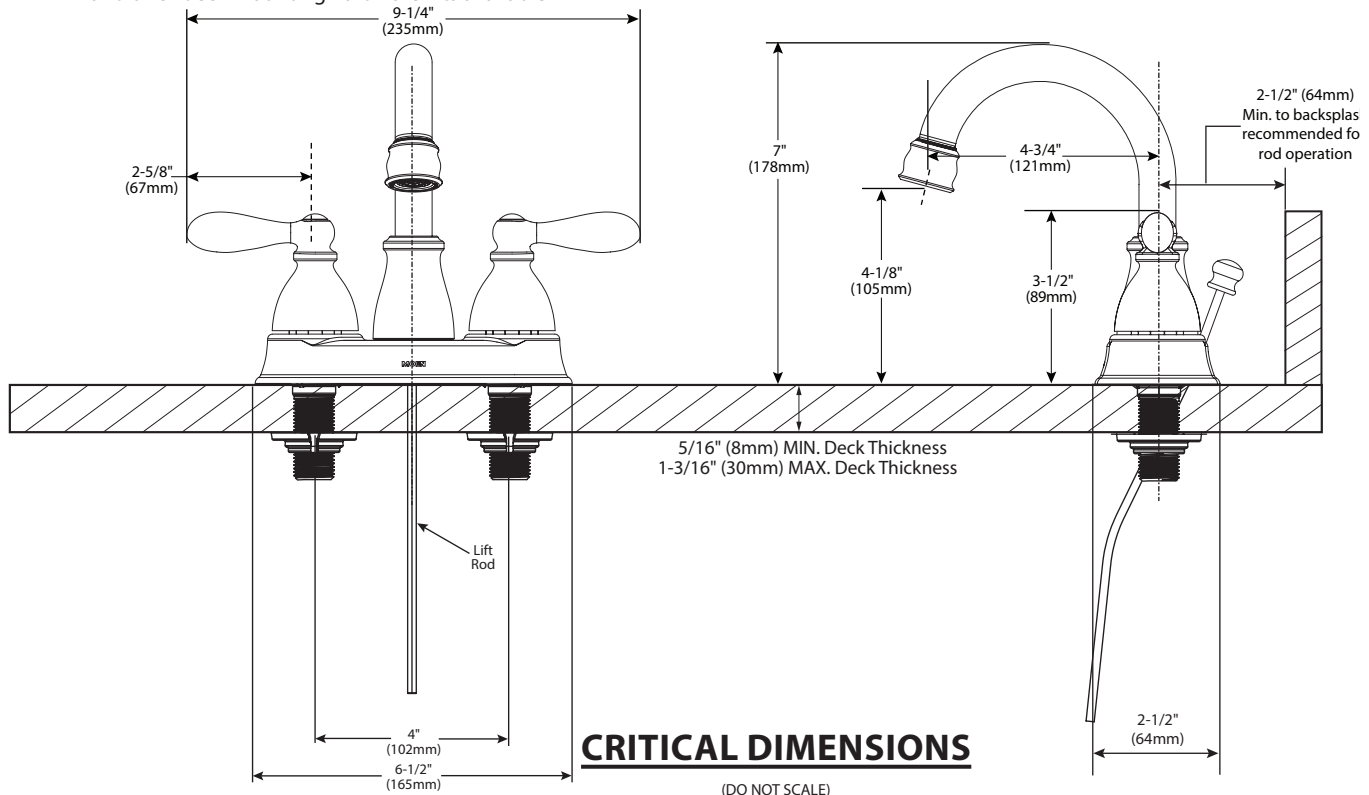
- Thin and thick deck mounting hardware kits available

# Specifications



**CALDWELL™**  
**Two-Handle 4" Centerset Lavatory Faucet**

**Models:** WS84667 series includes pop-up waste





Buy it for looks. Buy it for life.®

**DESCRIPTION**

- Metal construction with various finishes identified by suffix
- 1/2" IPS connections will accept standard ball nose connection for 3/8" tubing
- Includes pop-up type waste assembly

**OPERATION**

- Lever style handles
- Hot side counterclockwise to open (clockwise to close)
- Cold side clockwise to open (counter-clockwise to close)


**FLOW**

- Water usage is limited to these maximum flow rates as indicated by the corresponding product markings
  - ° 1.2 gpm max (4.5L/min) at 60 psi

**CARTRIDGE**

- 1224 cartridge design
- Nonmetallic and stainless steel material

**STANDARDS**

- Third party certified to WaterSense®, ASME A112.18.1/CSA B125.1 and all applicable requirements referenced therein
- Certified to NSF 61/9 & 372
- Products marked with 1.2 gpm are compliant with California water efficiency regulations
- Complies with California Proposition 65 and with the Federal Safe Drinking Water Act
- **ADA**  for lever handles

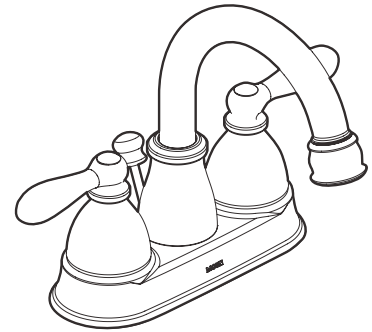
**WARRANTY**

- Lifetime limited warranty against leaks, drips and finish defects to the original consumer purchaser
- 5 year warranty if used in commercial installations

**NOTE**

- \*Service kits available for thicker or thinner deck applications (See Parts view)

# Specifications



## CALDWELL™ Two-Handle Lavatory Faucet

Models: WS84667 series

**NOTE:** THIS FAUCET IS DESIGNED TO BE INSTALLED THROUGH 3 HOLES, 1" MIN. DIA.

