

DESCRIPTION

- Metal construction with various finishes identified by suffix
- For use with S936 3/4" thermostatic valve and S956 volume control with integral checkstops

OPERATION

- Flow lever operates counterclockwise through a 90° arc with off at 6 o'clock and maximum flow at the 3 o'clock position. Shut off in clockwise direction
- Temperature lever operates through a 340° arc with maximum cold at full clockwise rotation and maximum hot at full counterclockwise rotation
- Safety stop preset temperature at 105°F (41° C)
- Safety stop override allows maximum temperature at 120°F (49° C)
- Factory established temperature range from 70°F (21° C) to 120°F (49° C)

FLOW

- Showerhead is limited to 2.5 gpm max. (9.5 L/min)

CARTRIDGE

- 130156 thermostatic cartridge design with non metallic/nonferrous materials
- 130157 volume ceramic disc cartridge design

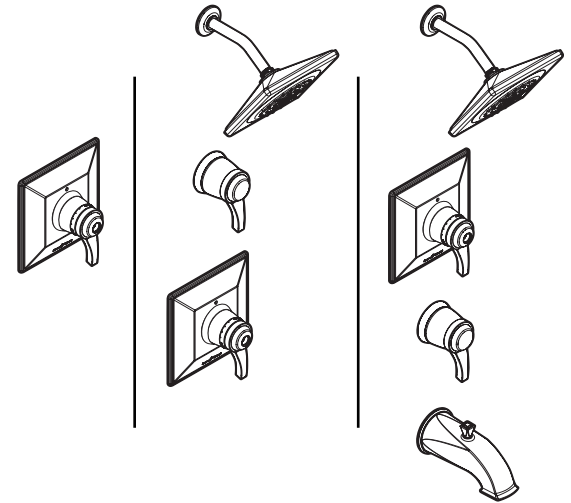
STANDARDS

- Third party certified to ASME A112.18.1/CSA B125.1 and all applicable requirements referenced therein including ASSE1016

- **ADA**  for lever handles

WARRANTY

- Lifetime limited warranty against leaks, drips and finish defects to the original consumer purchaser
- 5 year warranty if used in commercial installations

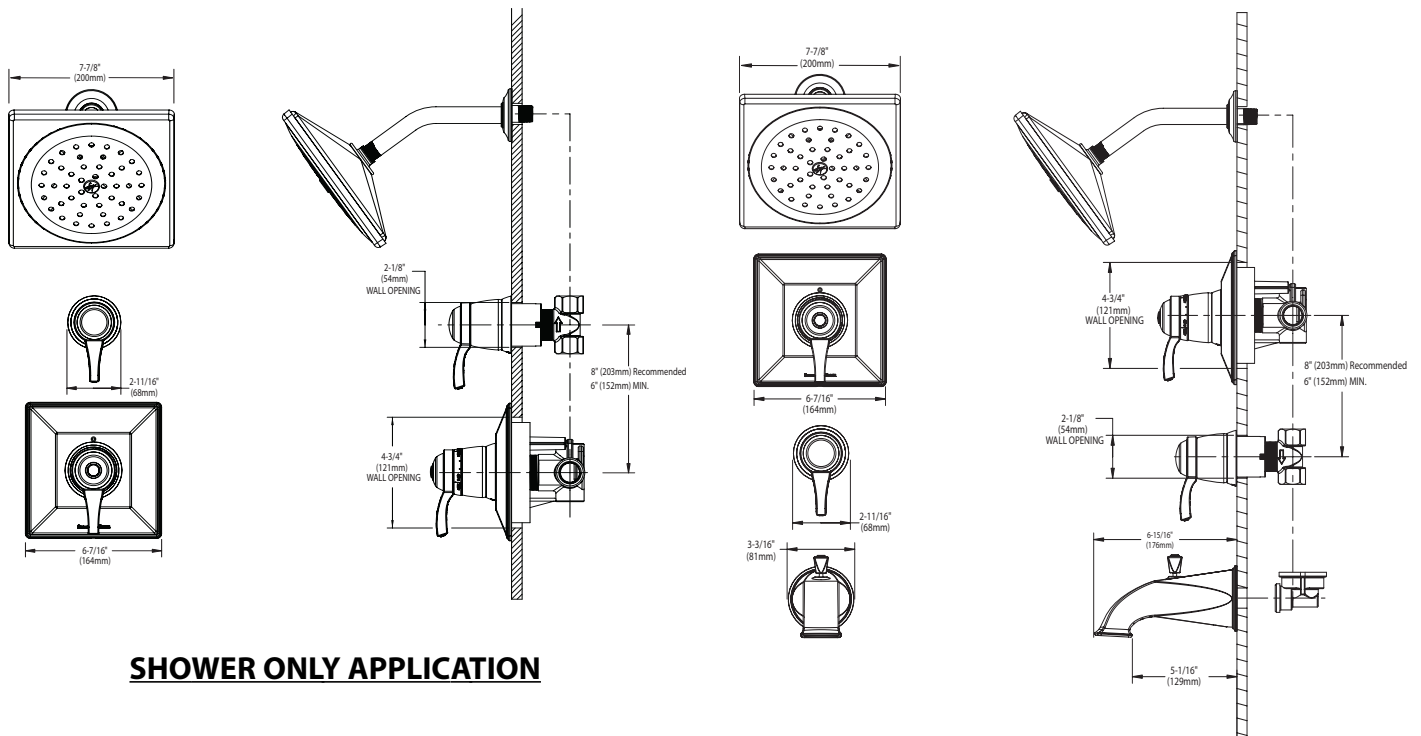


Divine™

ExactTemp® 3/4" Thermostatic Tub/Shower Trim

Models: TS3510 series-valve trim only
TS3512 series-shower trim only
TS3516 series-tub/shower trim

Valves: S936 - thermostatic
S956 - volume control



SHOWER ONLY APPLICATION

TUB/SHOWER APPLICATION



CRITICAL DIMENSIONS

(DO NOT SCALE)