



Buy it for looks. Buy it for life.®

# Specifications

## DESCRIPTION

- Metal construction with various finishes identified by suffix
- Single function handshower with double check valves


## OPERATION

- Lever style handles
- Rotate hot side handle counterclockwise to open and clockwise to close.
- Rotate cold side handle clockwise to open and counterclockwise to close

## FLOW

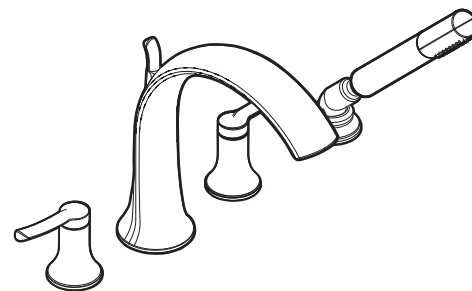
- Hand shower meets 2.0 gpm max. (7.6 L/min) @ 80psi

## STANDARDS

- Third party certified to ASME A112.18.1/CSA B125.1, and all applicable requirements referenced therein including ASSE 1014
- **ADA**  for lever handle

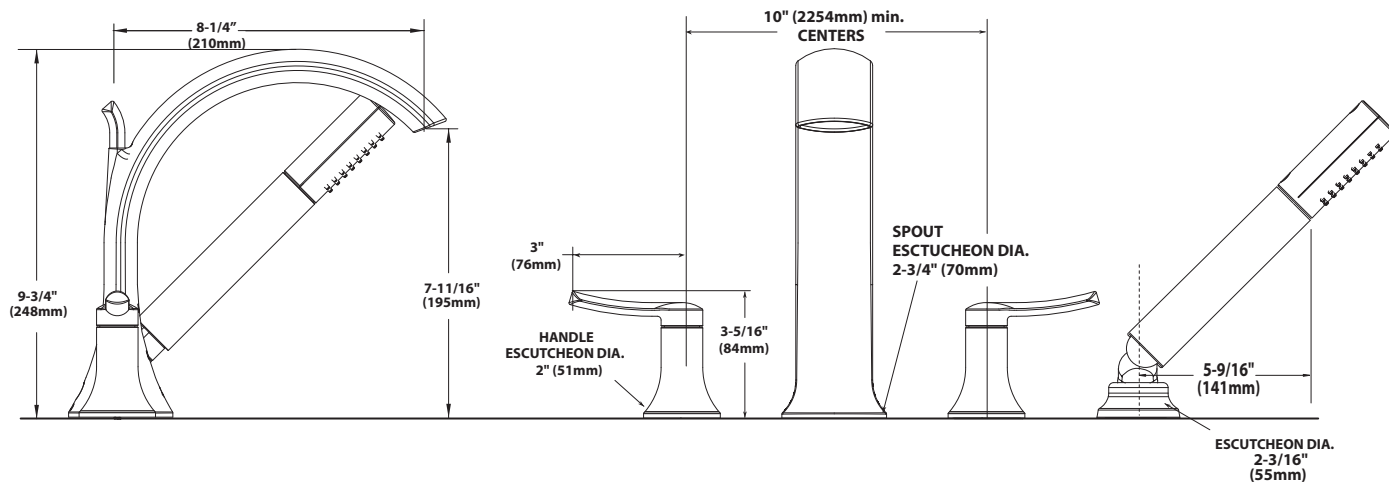
## WARRANTY

- Lifetime limited warranty against leaks, drips and finish defects to the original consumer purchaser
- 5 year warranty if used in commercial installations



## **FINA™** Two-Handle Roman Tub Faucet Trim with Integral Diverter

**Models:** TS21704 Series  
**Valves:** 9792, 9793, 9796, 9797



**NOTE:** THE INSTALLATION SHOWN IS FOR TILE DECKS, THIS VALVE WILL ALSO FIT STEEL, CAST IRON OR PLASTIC DECKS



## CRITICAL DIMENSIONS

(DO NOT SCALE)

**FOR MORE INFORMATION CALL: 1-800-BUY-MOEN**

**www.moen.com**