



Buy it for looks. Buy it for life.®

# Specifications

## DESCRIPTION

- Metal construction with chrome plated finish
- Includes showerhead, arm and flange and diverter spout

## OPERATION

- Pivot action lever style handle
- Temperature operates through an 180° arc of handle travel (full cold to full hot)
- Pressure balancing mechanism maintains selected discharge temperature to  $\pm 3^\circ$


## FLOW

- Showerhead is limited to 2.5 gpm (9.5 L/min) Max
- NH Suffix models contain no showerhead

## CARTRIDGE

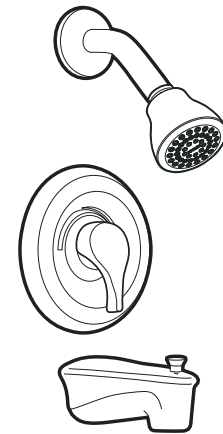
- 1225 cartridge design
- Nonmetallic/nonferrous and stainless steel materials
- Accommodates back to back installations

## STANDARDS

- Third party certified to meet ASME A112.18.1/CSA B125.1 and all applicable requirements referenced therein
- **ADA**  for lever handle

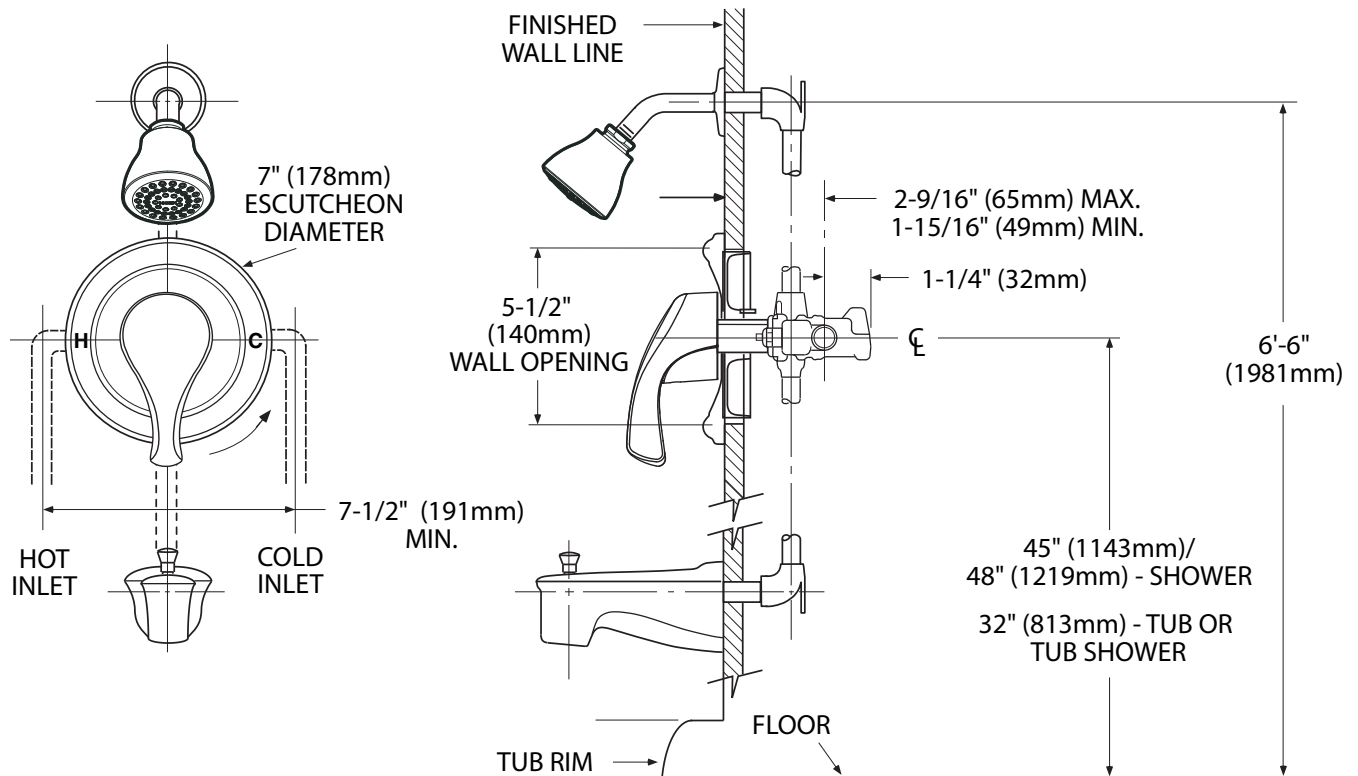
## WARRANTY

- Lifetime limited warranty against leaks, drips and finish defects to the original consumer purchaser
- 5 year warranty if used in commercial installations



## LEGEND® MOENTROL® Single-Handle Tub/Shower Trim Kit

**Model: TL172**  
**(Bulk packed 12 per carton)**



## CRITICAL DIMENSIONS

(DO NOT SCALE)

FOR MORE INFORMATION CALL: 1-800-BUY-MOEN

[www.moen.com](http://www.moen.com)