



Buy it for looks. Buy it for life.®

# Specifications

## DESCRIPTION

- Metal construction with various finishes identified by suffix
- Use with io Digital valve 4994 and spout shank 4998

## OPERATION

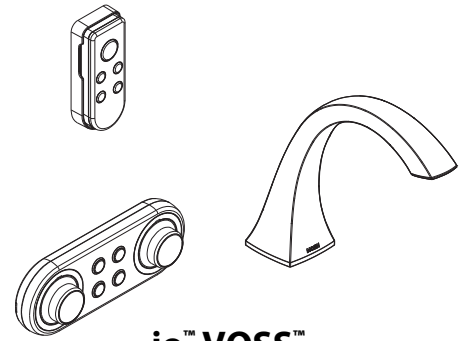
- Digital Thermostatic control
- Digital control dial controls temperature with LED indicators
- Digital control dial controls the flow rate with LED indicators
- Digital on/off button
- Digital safety lock
- 3 digital presets for custom water level and temperature control
- Hot top off (optional remote required for this function)
- Temperature range adjustment from 60 degrees F to 120 degrees F (16 degrees C to 49 degrees C). Factory maximum setting is 115 degrees (46 degrees C)
- Remote (optional) uses RF technology and has a 30' (9.2m) range depending on intermediary structures

## STANDARDS

- Third party certified to meet ASME A112.18.1/CSA B-125.1, CSA B125.3, ASSE1070 and all applicable requirements referenced therein
- Digital controller third party certified to meet UL1951
- Digital controller and Remote control third party certified to meet FCC part 15

## WARRANTY

- Lifetime limited warranty against finish defects to the original consumer purchaser. 5 year warranty against finish defects in commercial installations
- 5 year warranty against leaks, drips and operation defects to the original consumer purchaser
- 1 year warranty against leaks, drips and operation defects if used in commercial installations



## io™ VOSS™ Digital Roman Tub Trim Only

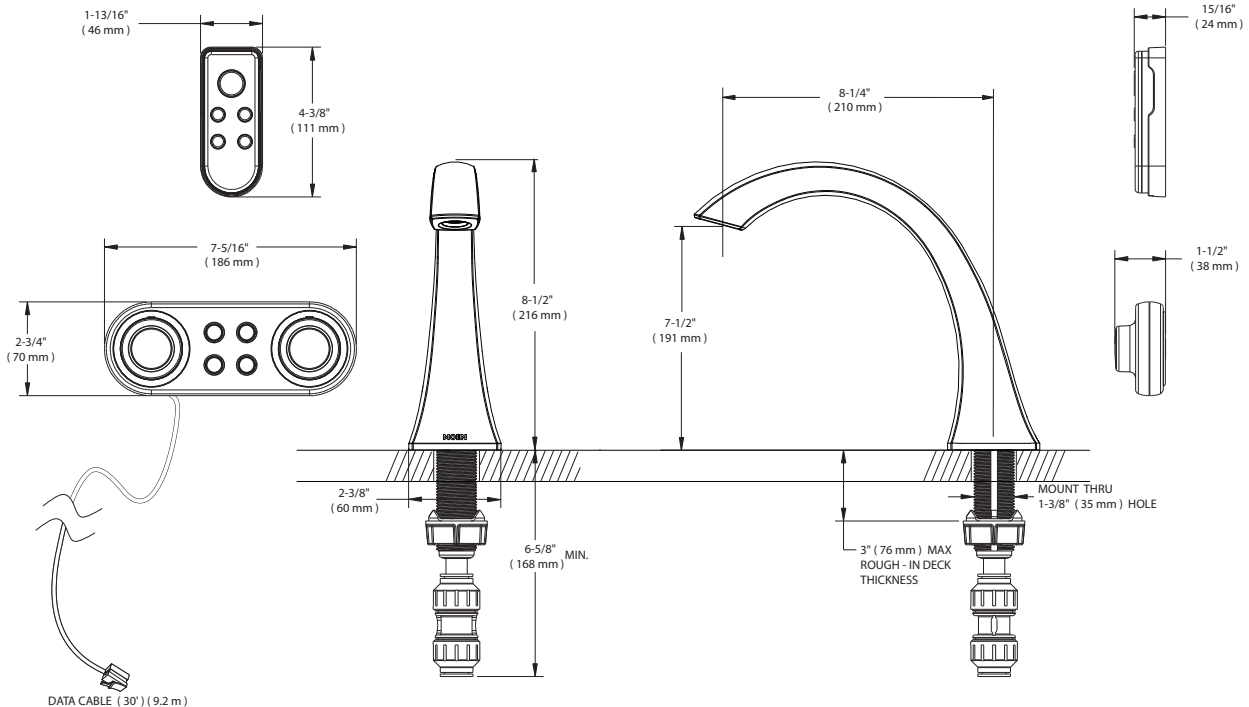
**Models:** T9693 series

**Valve:** 4994 (Sold separately)

**Spout Shank:** 4998 (Sold separately)

**Optional Remote:** A349 series  
(Sold separately)

**Controller:** T3490 series (Sold separately)



**NOTE: THE INSTALLATION SHOWN IS FOR TILE DECKS, THIS VALVE WILL ALSO FIT STEEL, CAST IRON OR PLASTIC DECKS**

## CRITICAL DIMENSIONS

(DO NOT SCALE)