



Buy it for looks. Buy it for life.®

Specifications

DESCRIPTION

- Metal construction with various finishes identified by suffix


OPERATION

- Lever style handles
- Rotate hot side handle counterclockwise to open (clockwise to close)
- Rotate cold side handle clockwise to open (counterclockwise to close)

FLOW

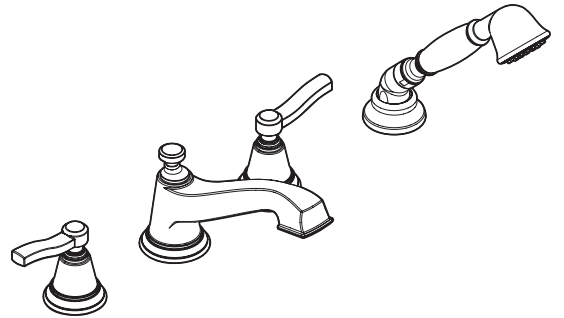
- Hand shower meets 2.5 gpm max (9.5 L/min)

STANDARDS

- Third party certified to CSA B-125, ASME A112.18.1M, and all applicable requirements referenced therein
- **ADA**  for lever handles

WARRANTY

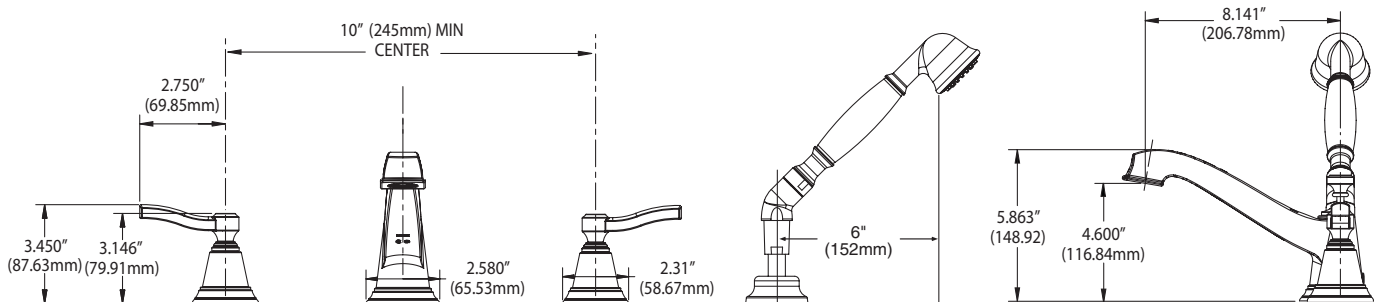
- Lifetime limited warranty against leaks, drips and finish defects to the original consumer purchaser
- 5 year warranty if used in commercial installations



ROTHBURY™ DECK MOUNT Two-Handle Roman Tub Faucet Trim w/Built In Diverter Valve

Models: T925 series

Valves: 9992, 9993, 9997, 9999



CRITICAL DIMENSIONS

(DO NOT SCALE)