


FAUCET DESCRIPTION

- Metal construction with various finishes identified by suffix

OPERATION

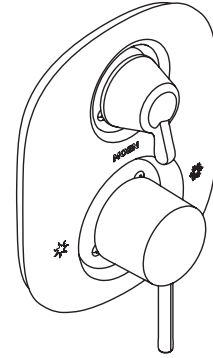
- Pull-on/push-off operation of temperature and volume, rotational control of transfer valve
- Temperature operates through an 180° arc of handle travel (full cold to full hot)
- Adjustable temperature limit stop to control maximum hot water temperature
- 180° rotation of transfer valve handle with stops
- Pressure balancing mechanism maintains selected discharge temperature to $\pm 3.6^{\circ}\text{F}$ ($\pm 2^{\circ}\text{C}$)

STANDARDS

- Third party certified to ASME A112.18.1/CSA B125.1 and all applicable requirements referenced therein, including ASSE 1016
- **ADA**  for lever handles

WARRANTY

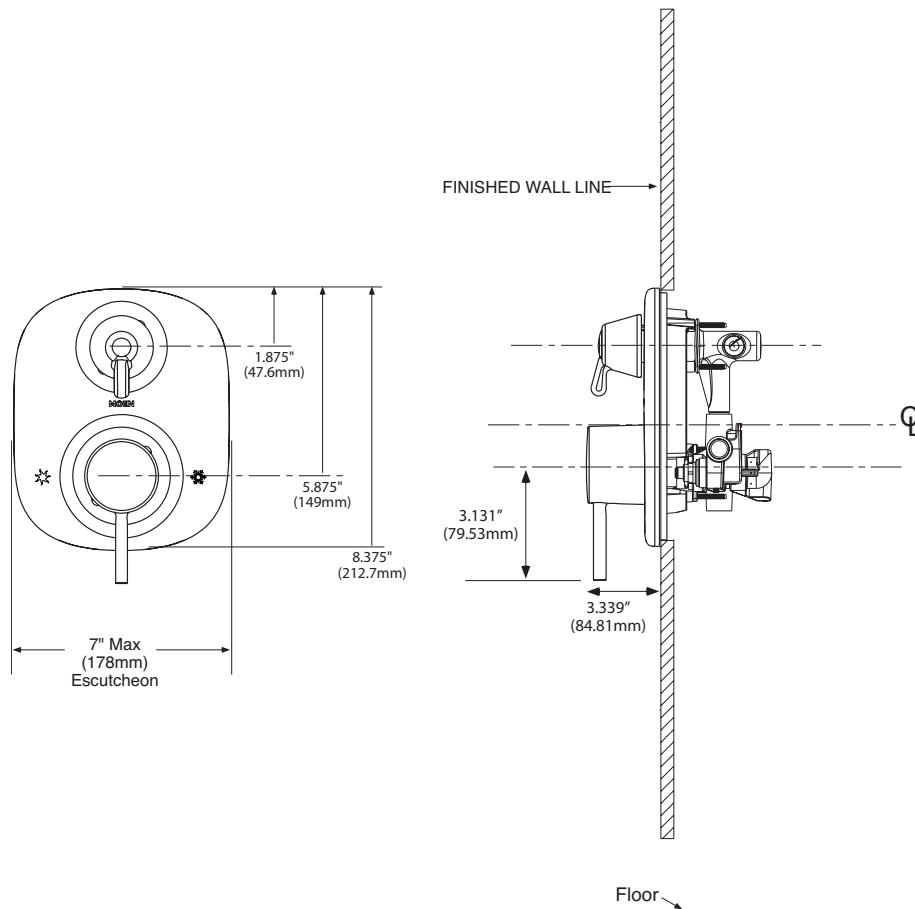
- Lifetime limited warranty against leaks, drips and finish defects to the original homeowner
 - 10 year limited warranty when used in a multifamily installation
 - 5 year limited warranty when used in a commercial installation
- Visit www.moen.com/support for complete details and limitations



Align™
Three-Function Transfer
Valve Trim Kit

Models: T3290 series

Valves: 3330 series,
3320 series



CRITICAL DIMENSIONS

(DO NOT SCALE)