



Buy it for looks. Buy it for life.®

Specifications

FAUCET DESCRIPTION

- Chrome plated finish
- Includes showerhead, arm, flange and diverter spout

OPERATION

- Lever style handle with temperature indicator on the escutcheon
- Handle operates counterclockwise through a 270° arc with off at 6 o'clock and maximum hot at the 9 o'clock position. Shut off in clockwise direction
- Adjustable temperature limit stop to control maximum hot water temperature
- Pressure balancing mechanism maintains selected discharge temperature to $\pm 3.6^\circ\text{F}$ ($\pm 2^\circ\text{C}$)


FLOW

- Showerhead limited to 1.75 gpm max. (6.65 L/min) at 80 psi

CARTRIDGE

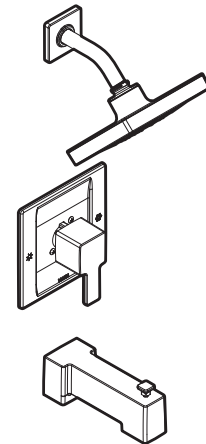
- 1222 cartridge design
- Nonmetallic/nonferrous and stainless steel materials
- Accommodates back to back installations

STANDARDS

- Third party certified to meet CSA B-125.1, ASME A112.18.1, ASSE 1016 and all applicable requirements referenced therein
- **ADA**  lever handle

WARRANTY

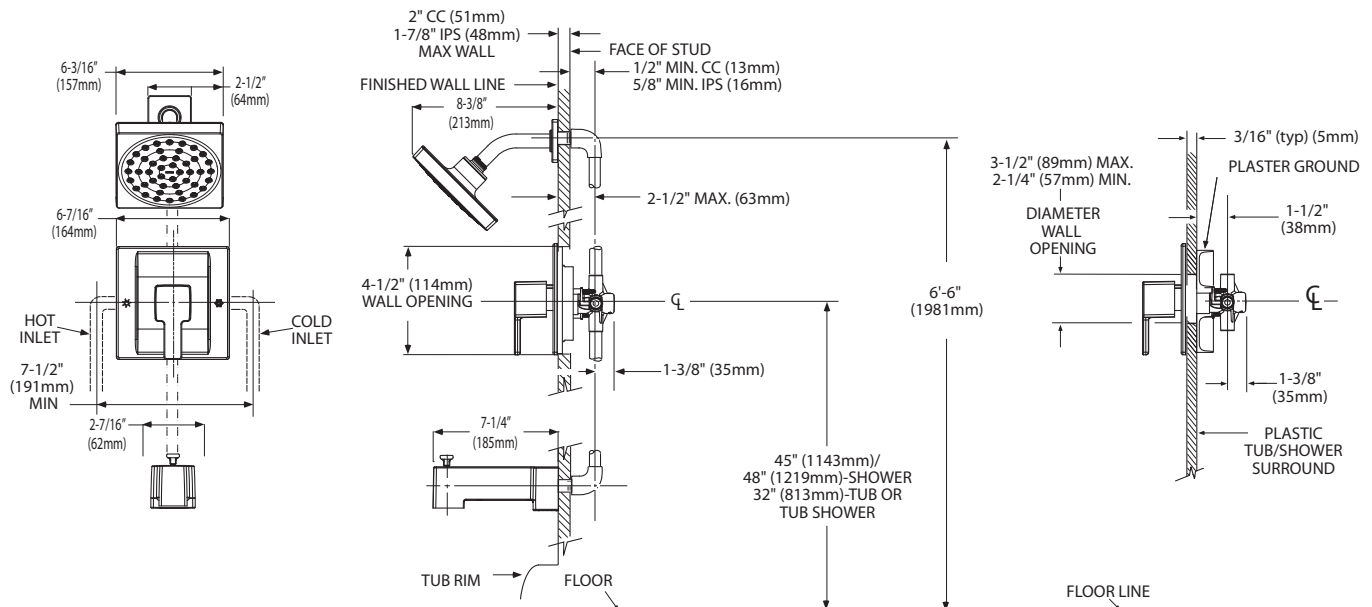
- Lifetime limited warranty against leaks, drips and finish defects to the original consumer purchaser
- 5 year warranty if used in commercial installations



90 DEGREE™ POSI-TEMP® Single-Handle Tub/Shower (Trim Only)

Model: T2714- shower trim only
T2716- tub/shower trim only

Valves: 62300, 2500 series



THICK WALL APPLICATION

THIN WALL APPLICATION

CRITICAL DIMENSIONS

(DO NOT SCALE)

FOR MORE INFORMATION CALL: 1-800-BUY-MOEN

www.moen.com