


DESCRIPTION

- ADA compliant operation
- Metal and brass construction with various finishes identified by suffix

OPERATION

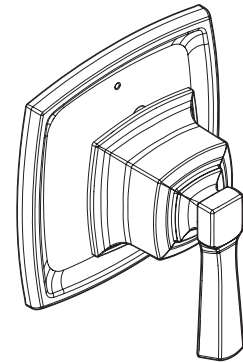
- Lever style handle
- Detents at each flow position
- Rotary 180° handle operation

STANDARDS

- Third party certified to meet ASME A112.18/CSA B125.1 and all applicable requirements therein
- **ADA**  for lever handle

WARRANTY

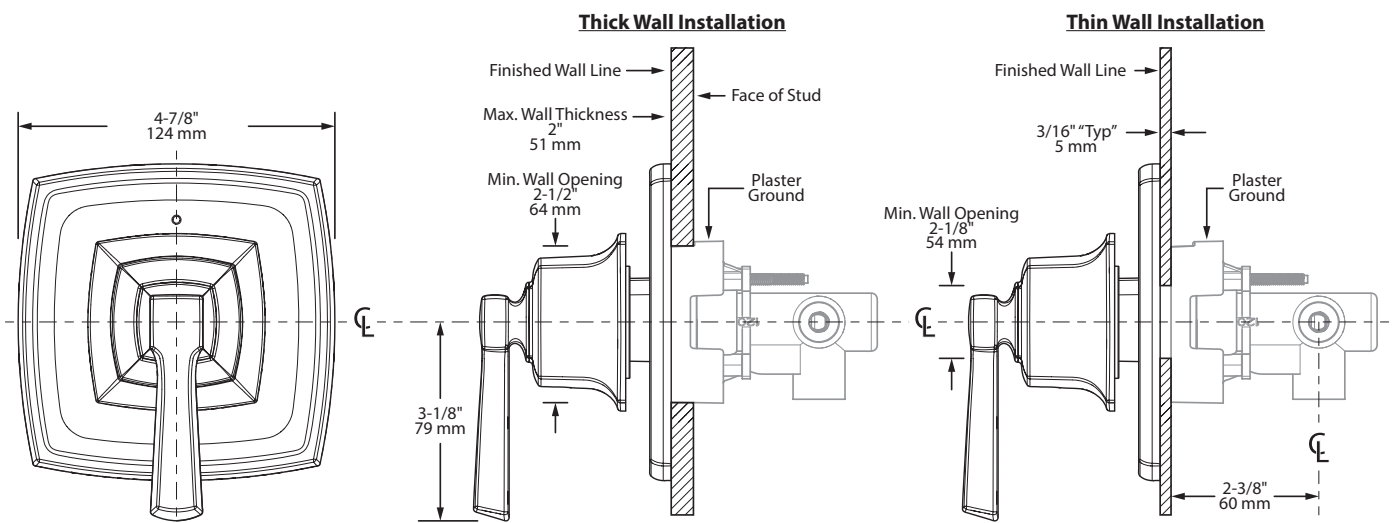
- Lifetime limited warranty against leaks, drips and finish defects to the original homeowner
 - 10 year limited warranty when used in a multifamily installation
 - 5 year limited warranty when used in a commercial installation
- Visit www.moen.com/support for complete details and limitations



Boardwalk®
Two/Three-Function
Transfer Valve Trim Kit

Model: T2061 series

Valve: 3372 or 3375



CRITICAL DIMENSIONS

(DO NOT SCALE)