

Technical Specification

Shower Rod Hook

SR2300

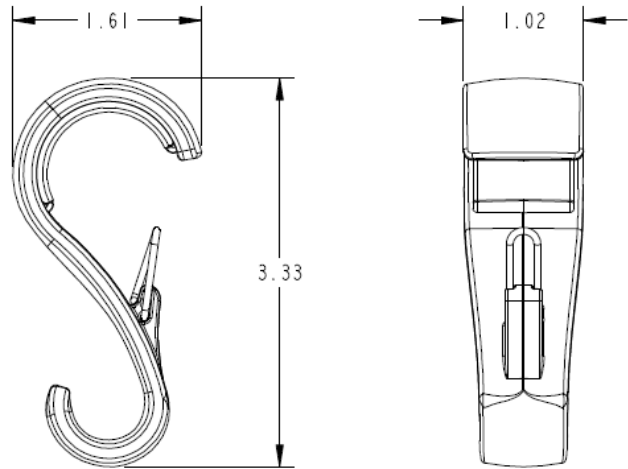
Stock Numbers:

- ❑ **SR2300BN – Shower Rod Hook**
Brushed Nickel Finish
- ❑ **SR2300CH – Shower Rod Hook**
Chrome Finish
- ❑ **SR2300OWB – Shower Rod Hook**
Old World Bronze Finish

Materials:

Shower Rod Hook is constructed of Zinc. **Spring Clip** is constructed of #302 Stainless Steel. **Insert** is constructed of POM plastic.

Dimensions:



Installation Instructions:

1. Push the Rod Hook over the Shower Rod. (Rod Hook only works with 1" diameter circular bars)
2. To remove, push the wire clip down and pull the Rod Hook away from Shower Rod.

Cleaning Instructions:

To preserve the fine finish of this product, clean only with a soft damp cloth. Dry well. Do not use commercial or abrasive cleaners.

Stock Number: _____ **Double**
Curtain Shower Rings By Creative Specialties



25300 AL MOEN DRIVE • NORTH OLMSTED, OH 44070
CORPORATE HEADQUARTERS: (800) 321-8809 • FAX: (800) 848-6636
INTERNATIONAL: (440) 962-2000 • FAX: (440) 962-2726
CUSTOMER SERVICE (USA): 800-882-0116 • FAX: (888) 379-2720
WWW.CSI.MOEN.COM

©Copyright Creative Specialties International

Literature # BA1526