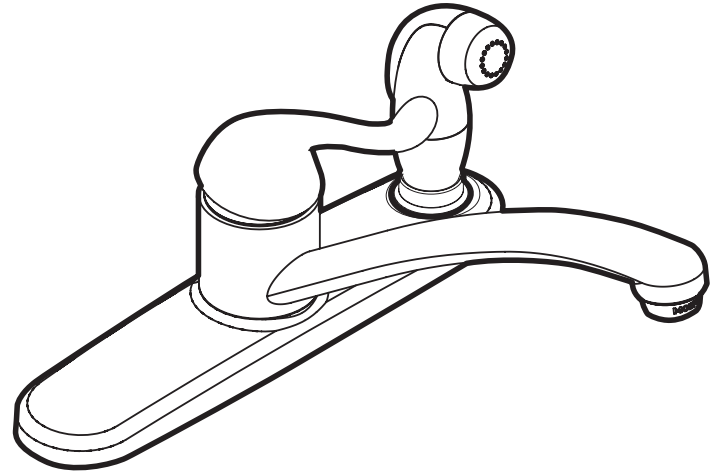


MOEN®

Specifications

*There is more than one version of this model.
Page down to identify the version you have.*



DESCRIPTION

- Metal construction with various finishes identified by suffix
- Inlet shanks will accept 3/8" ball nose connections
- With and without side spray versions available
- Duralock quick connect installation

OPERATION

- Lever style handle
- Operates with less than 5 lbs. of force

FLOW

- Spout flow is limited to 1.5 gpm (5.7 L/min) max at 60 psi max

CARTRIDGE

- 1255™ Duralast™ cartridge
- Nonmetallic/nonferrous and stainless steel material

STANDARDS

- Third party certified to ASME A112.18.1/CSA B-125.1 and all applicable requirements referenced therein
- Certified to NSF 61/9 & 372
- Meets CalGreen and Georgia SB370 requirements
- Complies with California Proposition 65 and with the Federal Safe Drinking Water Act
- ADA for lever handle

WARRANTY

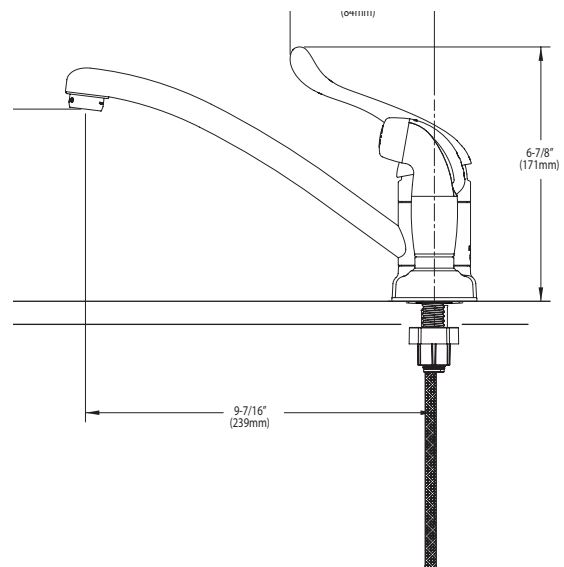
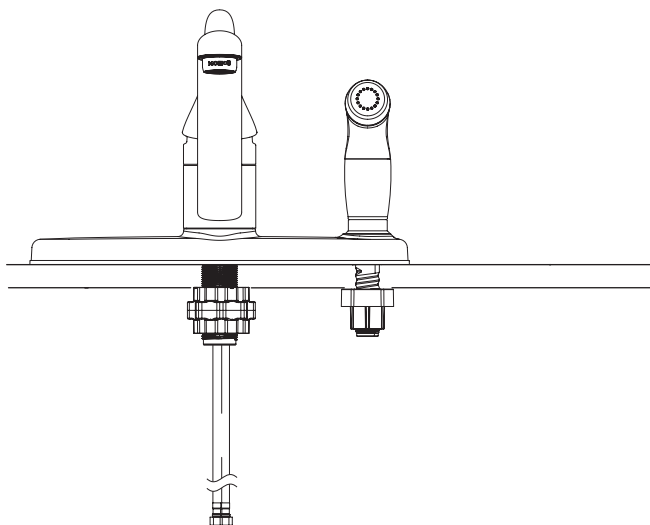
- Lifetime limited warranty against leaks, drips and finish defects to the original homeowner
- 10 year limited warranty when used in a multifamily installation
- 5 year limited warranty when used in a commercial installation
- Visit www.moen.com/support for complete details and limitations

Adler™

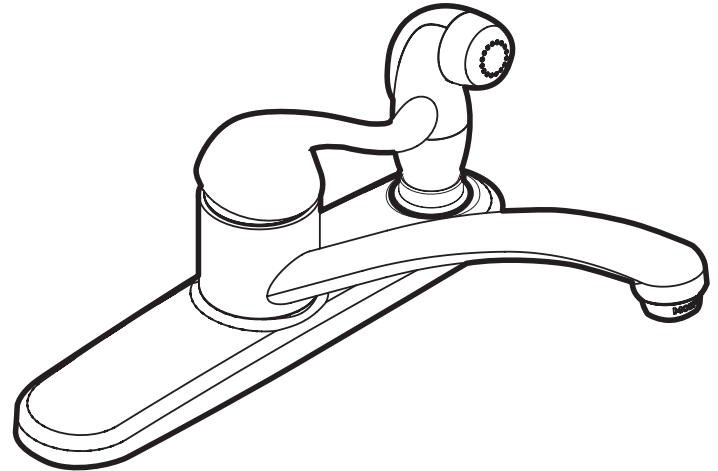
Single Handle Lever Kitchen Faucet with
Protégé® Side Spray in Deck Escutcheon
MODELS: Models: CA87534 series

NOTE:

**NOTE: DESIGNED TO BE INSTALLED THROUGH 3 HOLES
1-1/4" (32mm) MIN. DIA. AND 4" (102mm) ON CENTER.**



CRITICAL DIMENSIONS DO NOT SCALE



DESCRIPTION

- Metal construction with various finishes identified by suffix
- Inlet shanks will accept 3/8" ball nose connections
- With and without side spray versions available
- Duralock quick connect installation

OPERATION

- Lever style handle
- Operates with less than 5 lbs. of force

FLOW

- Aerator is limited to 1.5 gpm max (5.7 L/min)

CARTRIDGE

- 1255™ Duralast™ cartridge
- Nonmetallic/nonferrous and stainless steel material

STANDARDS

- Third party certified to ASME A112.18.1/CSA B-125.1 and all applicable requirements referenced therein
- Certified to NSF 61/9 & 372
- Meets CalGreen and Georgia SB370 requirements
- Complies with California Proposition 65 and with the Federal Safe Drinking Water Act
- ADA for lever handle

WARRANTY

- Lifetime limited warranty against leaks, drips and finish defects to the original homeowner
- 10 year limited warranty when used in a multifamily installation
- 5 year limited warranty when used in a commercial installation
- Visit www.moen.com/support for complete details and limitations

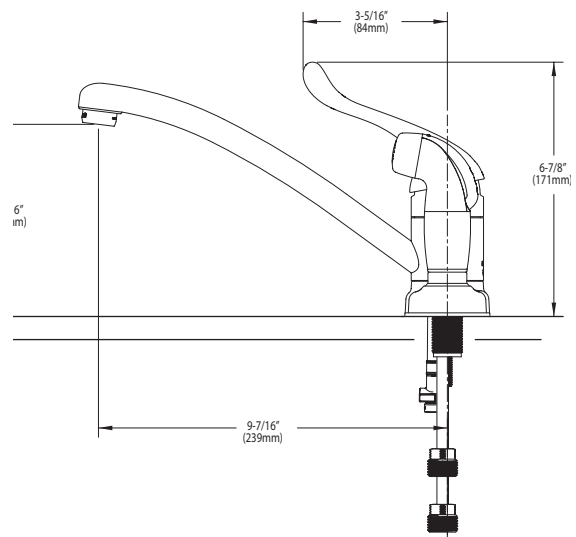
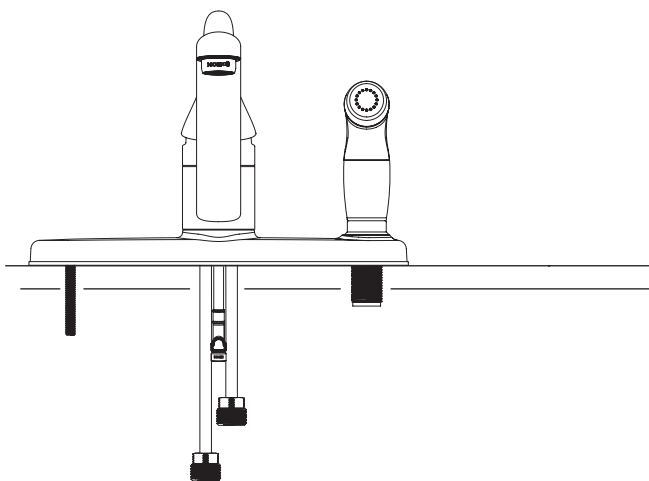
Adler™

Single Handle Lever Kitchen Faucet with Protégé® Side Spray in Deck Escutcheon

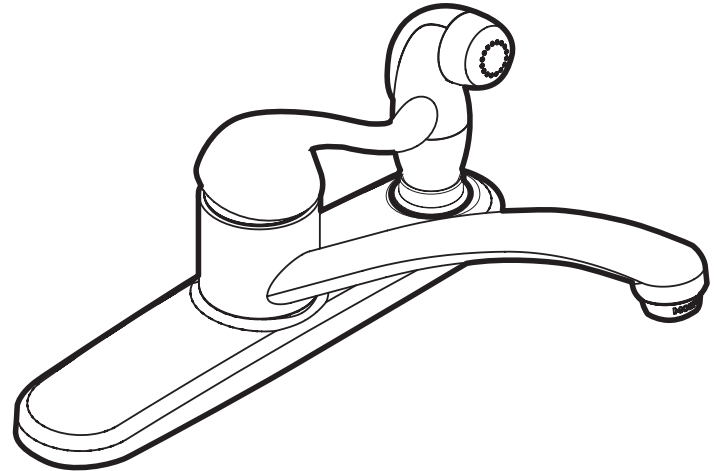
MODELS: Models: CA87534 series

NOTE:

NOTE: DESIGNED TO BE INSTALLED THROUGH 3 HOLES 1-1/4" (32mm) MIN. DIA. AND 4" (102mm) ON CENTER.



CRITICAL DIMENSIONS DO NOT SCALE



DESCRIPTION

- Metal construction with various finishes identified by suffix
- Inlet shanks will accept 3/8" ball nose connections
- With and without side spray versions available
- Duralock quick connect installation

OPERATION

- Lever style handle
- Operates with less than 5 lbs. of force

FLOW

- Aerator is limited to 1.5 gpm max (5.7 L/min)

CARTRIDGE

- 4000 ceramic disc cartridge design
- Nonmetallic/nonferrous and stainless steel material

STANDARDS

- Third party certified to ASME A112.18.1/CSA B-125.1 and all applicable requirements referenced therein
- Certified to NSF 61/9 & 372
- Complies with California Proposition 65 and with the Federal Safe Drinking Water Act
- ADA for lever handle

WARRANTY

- Lifetime limited warranty against leaks, drips and finish defects to the original homeowner
- 10 year limited warranty when used in a multifamily installation
- 5 year limited warranty when used in a commercial installation
- Visit www.moen.com/support for complete details and limitations

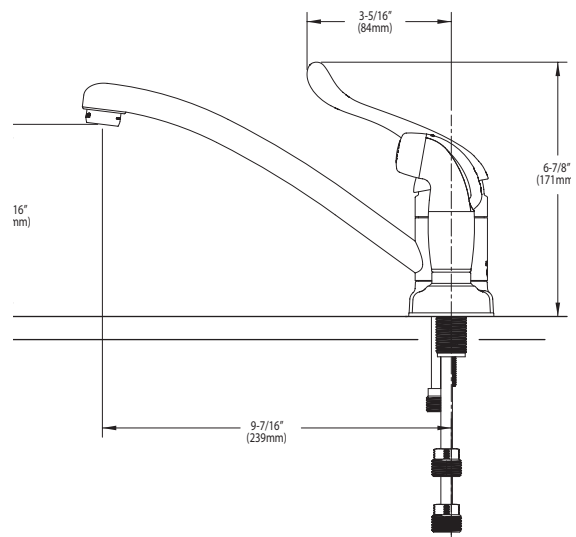
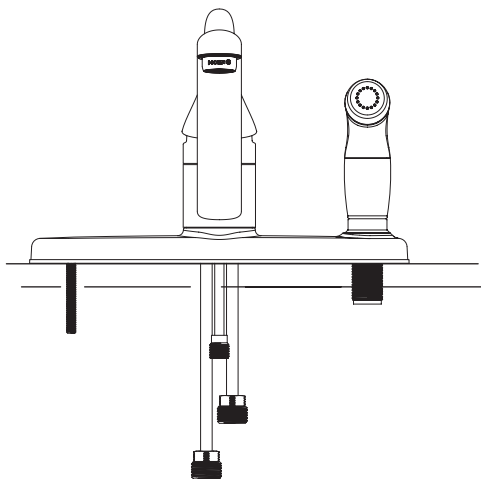
Adler™

Single Handle Lever Kitchen Faucet with Protégé® Side Spray in Deck Escutcheon

MODELS: Models: CA87534 series

NOTE:

NOTE: DESIGNED TO BE INSTALLED THROUGH 3 HOLES 1-1/4" (32mm) MIN. DIA. AND 4" (102mm) ON CENTER.



CRITICAL DIMENSIONS DO NOT SCALE