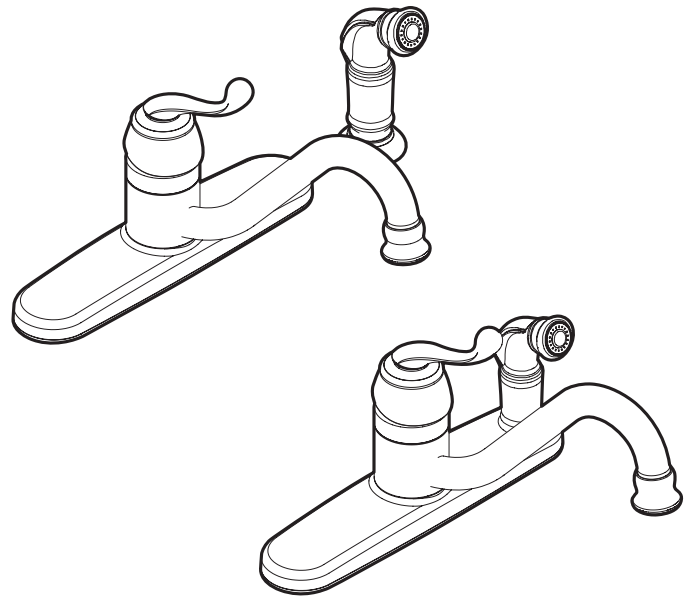


# MOEN®

*There is more than one version of this model.  
Page down to identify the version you have.*

## Specifications



### DESCRIPTION

- Metal construction with various finishes identified by suffix
- Flexible supplies with 3/8" compression fittings
- With side spray versions available
- Hydrolock® quick-connect installation

### OPERATION

- Lever style handle
- Operates with less than 5 lbs. of force

### FLOW

- Spout flow is limited to 1.5 gpm (5.7 L/min) max at 60 psi max

### CARTRIDGE

- 1255™ Duralast™ cartridge

### STANDARDS

- Third party certified to ASME A112.18.1/CSA B-125.1 and all applicable requirements referenced therein
- Certified to ANSI/NSF 61/9 & 372
- Complies with California Proposition 65 and with the Federal Safe Drinking Water Act
- ADA for lever handle

### WARRANTY

- Lifetime limited warranty against leaks, drips and finish defects to the original homeowner
- 10 year limited warranty when used in a multifamily installation
- 5 year limited warranty when used in a commercial installation
- Visit [www.moen.com/support](http://www.moen.com/support) for complete details and limitations

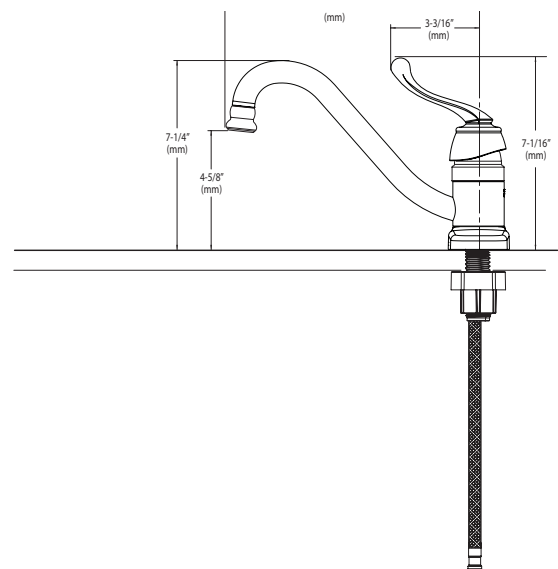
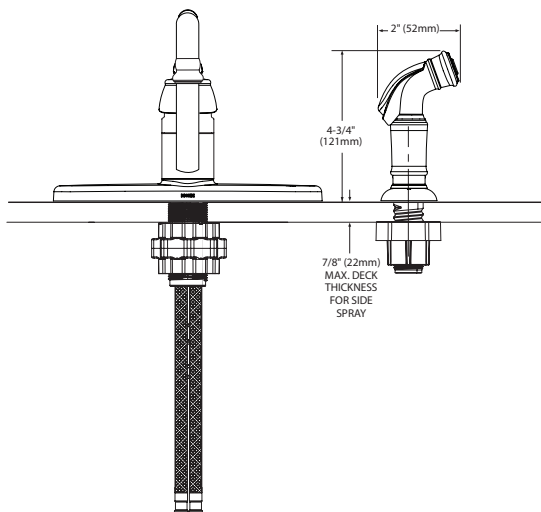
## Touch Control®

Single Handle Lever Kitchen Faucet  
with Side Spray

**MODELS:** Models: CA87520 series  
CA87524 series (spray in deck)

### NOTE:

**NOTE: DESIGNED TO BE INSTALLED THROUGH 3 HOLES  
1-1/4" (32mm) MIN. DIA. AND 4" (102mm) ON CENTER.**



**CRITICAL DIMENSIONS** DO NOT SCALE

### DESCRIPTION

- Metal construction with various finishes identified by suffix
- Flexible supplies with 3/8" compression fittings
- With side spray versions available
- Hydrolock® quick-connect installation

### OPERATION

- Lever style handle
- Operates with less than 5 lbs. of force

### FLOW

- Tap water: 2.2 gpm max (8.3 L/min)

### CARTRIDGE

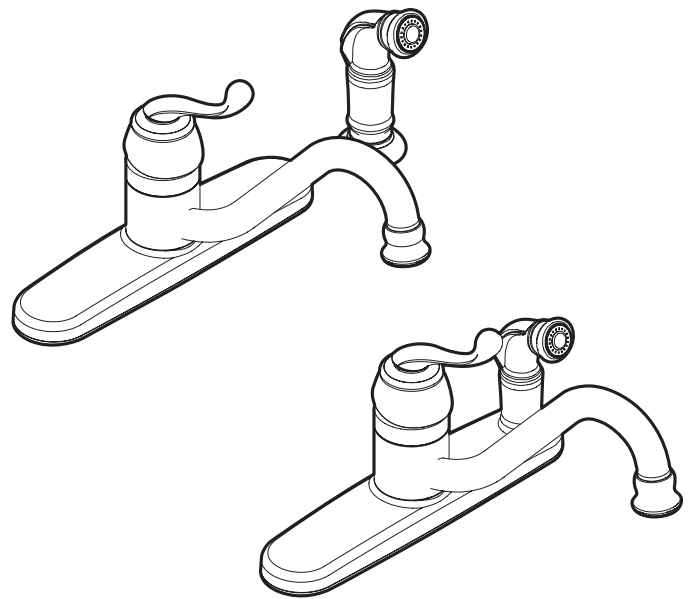
- 1255™ Duralast™ cartridge

### STANDARDS

- Third party certified to ASME A112.18.1/CSA B-125.1 and all applicable requirements referenced therein
- Certified to ANSI/NSF 61/9 & 372
- Complies with California Proposition 65 and with the Federal Safe Drinking Water Act
- ADA for lever handle

### WARRANTY

- Lifetime limited warranty against leaks, drips and finish defects to the original homeowner
- 10 year limited warranty when used in a multifamily installation
- 5 year limited warranty when used in a commercial installation
- Visit [www.moen.com/support](http://www.moen.com/support) for complete details and limitations



### Touch Control®

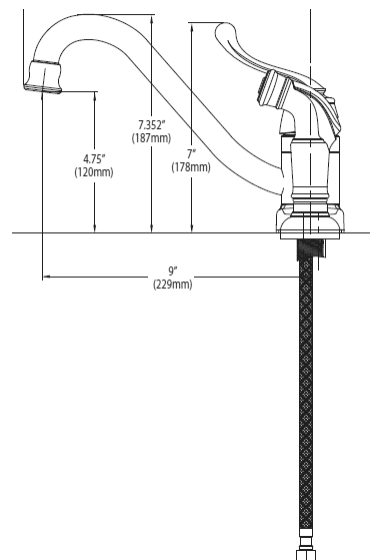
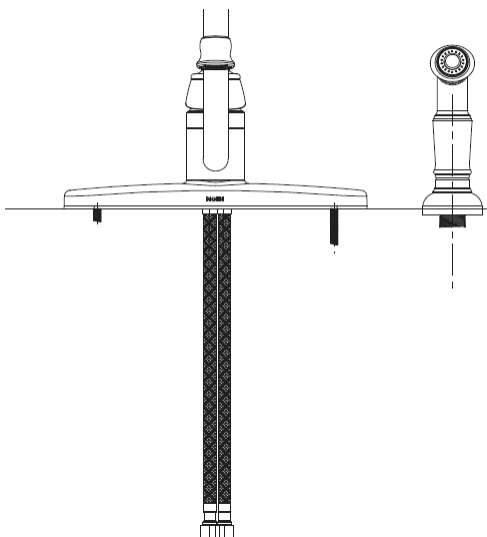
Single Handle Lever Kitchen Faucet  
with Side Spray

**MODELS:** Models: CA87520 series  
CA87524 series (spray in deck)

### NOTE:

**NOTE: DESIGNED TO BE INSTALLED THROUGH 3 HOLES  
1-1/4" (32mm) MIN. DIA. AND 4" (102mm) ON CENTER.**

ADA 



**CRITICAL DIMENSIONS** DO NOT SCALE

### DESCRIPTION

- Metal construction with various finishes identified by suffix
- Inlet shanks will accept 3/8" ball nose connections
- With side spray versions available
- Hydrolock® quick-connect installation

### OPERATION

- Lever style handle
- Operates with less than 5 lbs. of force

### FLOW

- Tap water: 2.2 gpm max (8.3 L/min)

### CARTRIDGE

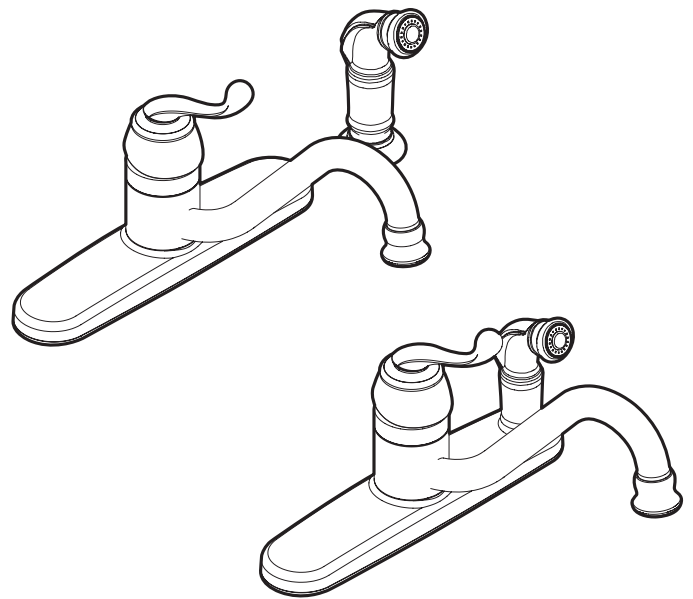
- 4000 ceramic disc cartridge design
- Nonmetallic/nonferrous and stainless steel material

### STANDARDS

- Third party certified to CSA B-125.1, ASME A112.18.1, ICC A117.1 and all applicable requirements referenced therein
- Certified to ANSI/NSF 61/9 & 372
- Complies with California Proposition 65 and with the Federal Safe Drinking Water Act
- ADA for lever handle

### WARRANTY

- Lifetime limited warranty against leaks, drips and finish defects to the original homeowner
- 10 year limited warranty when used in a multifamily installation
- 5 year limited warranty when used in a commercial installation
- Visit [www.moen.com/support](http://www.moen.com/support) for complete details and limitations



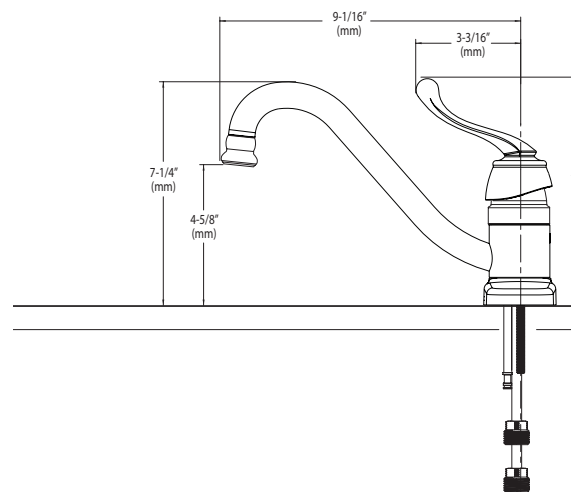
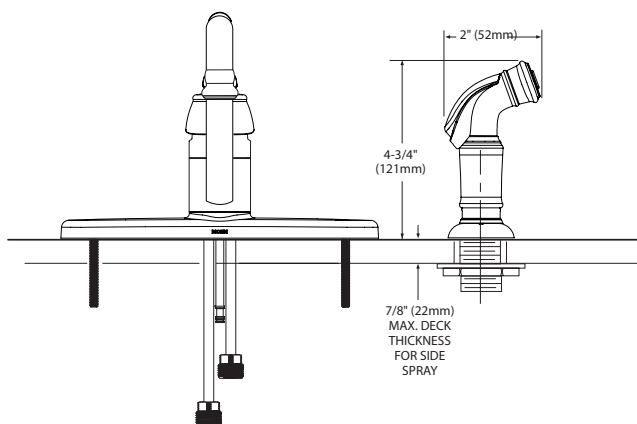
### Touch Control®

Single Handle Lever Kitchen Faucet  
with Side Spray

**MODELS:** Models: CA87520 series  
CA87524 series (spray in deck)

### NOTE:

**NOTE: DESIGNED TO BE INSTALLED THROUGH 3 HOLES  
1-1/4" (32mm) MIN. DIA. AND 4" (102mm) ON CENTER.**



**CRITICAL DIMENSIONS** DO NOT SCALE