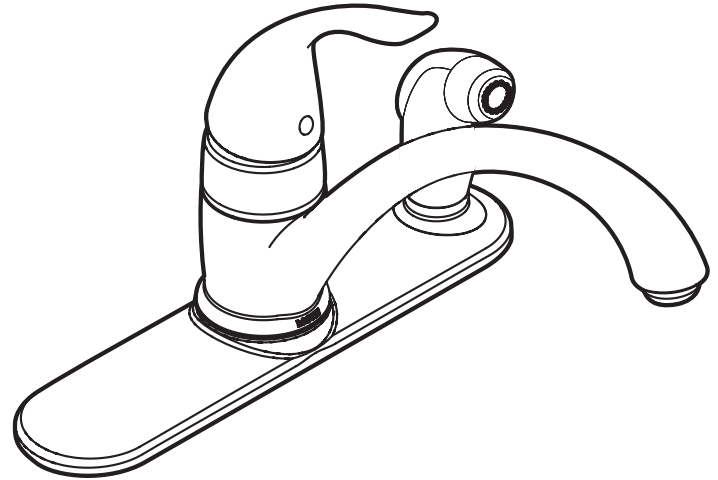


# MOEN®

## Specifications

*There is more than one version of this model.  
Page down to identify the version you have.*



### DESCRIPTION

- Metal construction with various finishes identified by suffix
- 1/2" IPS connections
- Includes Protégé side spray and hose in deck escutcheon

### OPERATION

- Lever style chrome handle
- Temperature controlled by 180° arc of handle travel
- Will operate with less than 5lbs. of force

### FLOW

- Spout flow is limited to 1.5 gpm (5.7 L/min) max at 60 psi max

### CARTRIDGE

- 1225 cartridge design
- Nonmetallic/nonferrous and stainless steel material

### STANDARDS

- Third party certified to: CSA B-125.1, ASME A112.18.1, ICC A117.1 and all applicable requirements referenced therein
- Certified to ANSI/NSF 61/9 & 372
- Complies with California Proposition 65 and with the Federal Safe Water Drinking Act
- ADA for lever handles

### WARRANTY

- Lifetime limited warranty against leaks, drips and finish defects to the original homeowner
- 10 year limited warranty when used in a multifamily installation
- 5 year limited warranty when used in a commercial installation
- Visit [www.moen.com/support](http://www.moen.com/support) for complete details and limitations

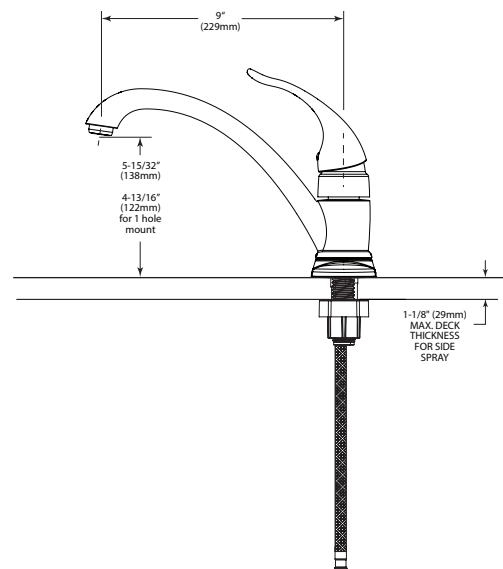
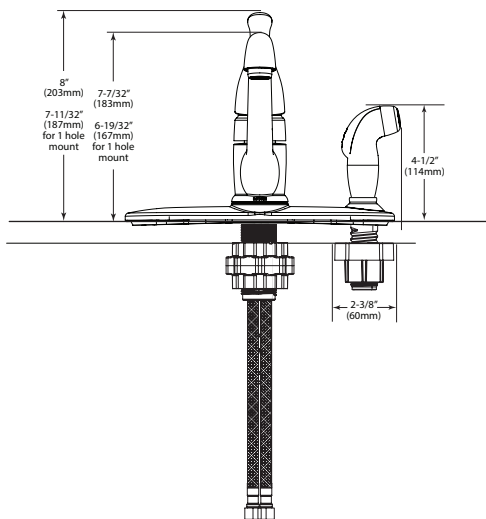
Single-Handle Kitchen Faucet with Protégé® Side Spray

**MODELS:** Models: 87484 series

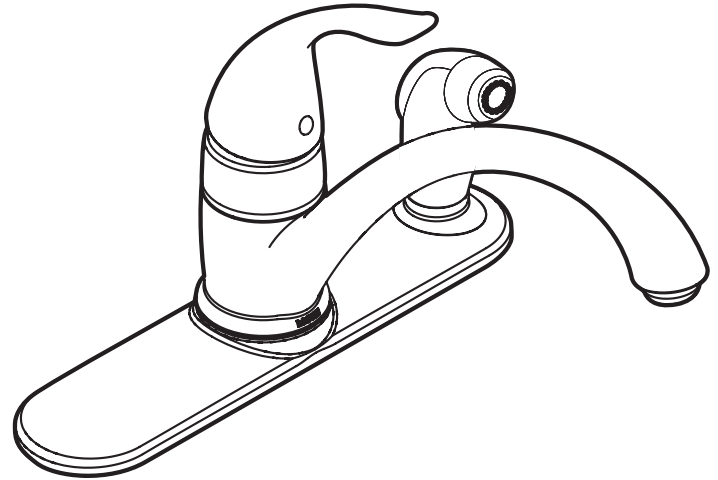
**NOTE: DESIGNED TO INSTALL THROUGH 3 HOLES 1-1/4" (32mm)  
MIN. DIA.**

**Also has single hole mount capability.**

ADA 



**CRITICAL DIMENSIONS** DO NOT SCALE



## DESCRIPTION

- Metal construction with various finishes identified by suffix
- 1/2" IPS connections
- Includes Protégé side spray and hose in deck escutcheon

## OPERATION

- Lever style chrome handle
- Temperature controlled by 180° arc of handle travel
- Will operate with less than 5lbs. of force

## FLOW

- Aerator is limited to 2.2 gpm max (8.3 L/min)

## CARTRIDGE

- 1225 cartridge design
- Nonmetallic/nonferrous and stainless steel material

## STANDARDS

- Third party certified to: CSA B-125.1, ASME A112.18.1, ICC A117.1 and all applicable requirements referenced therein
- Certified to ANSI/NSF 61/9 & 372
- Complies with California Proposition 65 and with the Federal Safe Water Drinking Act
- ADA for lever handles

## WARRANTY

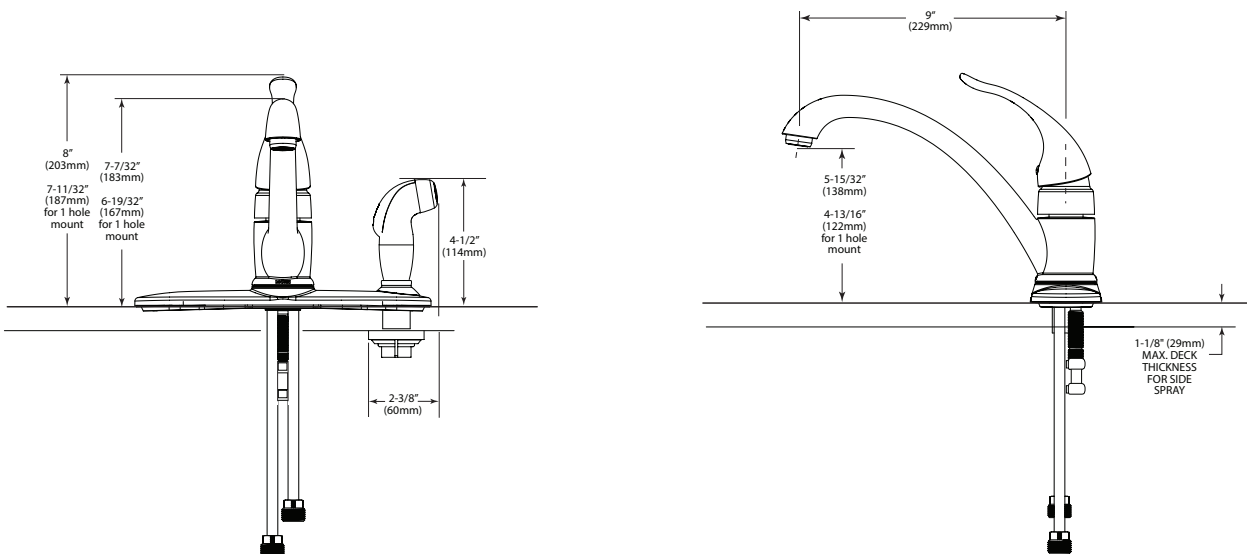
- Lifetime limited warranty against leaks, drips and finish defects to the original homeowner
- 10 year limited warranty when used in a multifamily installation
- 5 year limited warranty when used in a commercial installation
- Visit [www.moen.com/support](http://www.moen.com/support) for complete details and limitations

Single-Handle Kitchen Faucet with Protégé® Side Spray

**MODELS:** Models: 87484 series

**NOTE: DESIGNED TO INSTALL THROUGH 3 HOLES 1-1/4" (32mm) MIN. DIA.**

**Also has single hole mount capability.**



**CRITICAL DIMENSIONS** DO NOT SCALE