

DESCRIPTION

- Metal construction with various finishes identified by suffix
- Includes showerhead, arm, flange and diverter spout
- Includes red and blue temperature markings

OPERATION

- Handle operates counterclockwise through a 270° arc with off at 6 o'clock and maximum hot at the 9 o'clock position. Shut off in clockwise direction
- Adjustable temperature limit stop to control maximum hot water temperature
- Pressure balancing mechanism maintains selected discharge temperature to $\pm 3^\circ$


FLOW

- Showerhead is limited to 1.75 gpm (6.6 L/min) at 80 psi
- EP suffix models are limited to 1.75 gpm (6.6 L/min) at 80 psi
- NH suffix models contain no showerhead

CARTRIDGE

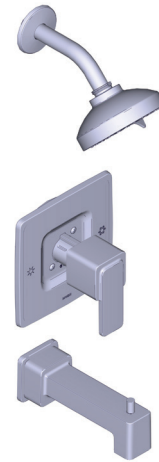
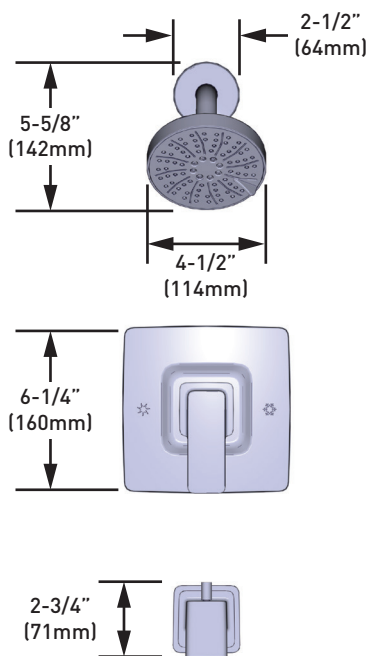
- 1222 cartridge design
- Non-metallic/non-ferrous and stainless steel materials
- Accommodates back to back installations

STANDARDS

- Third party certified to meet ASME A112.18.1/CSA B125.1 and all applicable requirements referenced therein
- EP suffix models are third party certified to WaterSense®
- ADA  for lever handle

WARRANTY

- Lifetime limited warranty against leaks, drips and finish defects to the original homeowner
 - 10 year limited warranty when used in a multifamily installation
 - 5 year limited warranty when used in a commercial installation
- Visit www.moen.com/support for complete details and limitations



IVER™

Single-Handle POSI-TEMP® Tub/Shower Trim Kit

MODELS: T2571 Series - Valve Trim Only
T2572EP/NH Series - Shower Trim Only
T2583EP/NH Series - Tub/Shower Trim

VALVES: 62300 series, 2500 series

