



SPECIFICATIONS

DESCRIPTION

- Metal construction with various finishes identified by suffix
- T56913 series-tub/shower trim w/slip fit tub spout
- T56912 series-shower only trim
- Twelve (12) individual boxes per master carton

OPERATION

- Rotating style metal lever handle
- Temperature control by 150° arc
- Will operate with less than 5 lbs of torque
- The stainless steel escutcheon features red and blue temperature indicators
- Protective rubber gaskets surround interior and exterior rim
- Weep hole located at bottom of escutcheon
- Slip fit tub spout connects to 1/2" pipe with bottom 5/32" set screw

FLOW

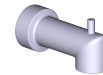
- Showerhead designed to deliver 1.3gpm (4.9 L/min) at 45 psi, 1.75 gpm (6.7 L/min) max at 80 psi
- NH suffix models contain no showerhead

STANDARDS

- Third party certified to WaterSense®, ASME A112.18.1/CSA B-125.1, and all applicable requirements referenced therein
- Features red/blue hot/cold temperature indicators
- ADA for lever handle

WARRANTY

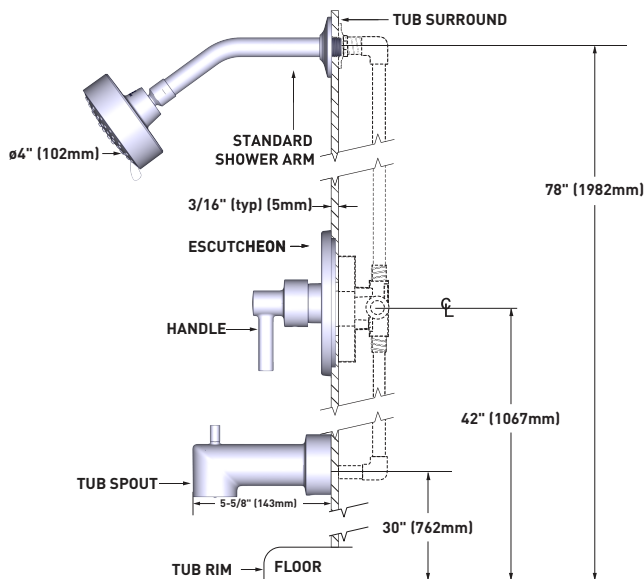
- Ten (10) year limited warranty against defects in materials and manufacturing workmanship
- Refer to the installation instructions enclosed with each CFG product or call 1-888-450-5522 for complete warranty information



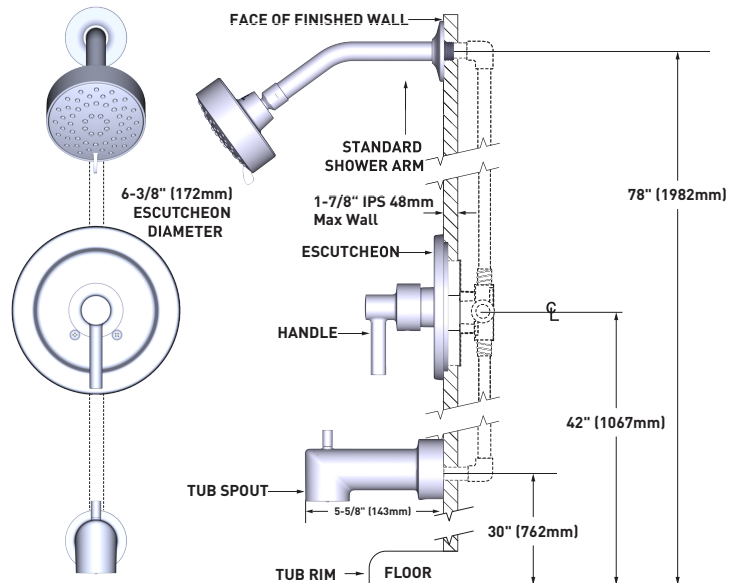
ALUMA™

1 Handle Tub/Shower Cycling Trim

MODELS: T57912 Series, T57913 Series



THIN WALL



THICK WALL