

DESCRIPTION

- Metal construction with various finishes identified by suffix
- 3/8" compression cold water inlet connection
- Tube connections to hot water tank
- Open vent faucet Intended to be used with Moen IH2300 Instant Hot Water Tank

OPERATION

- Two step handle operation prevents accidental activation
- Handle button operates with less than 5 lbs. force

FLOW

- Flow is limited to 1.5 gpm (5.7 L/min) at 60 psi

CARTRIDGE

- Ceramic disc cartridge

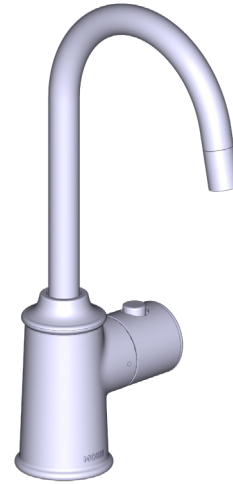
STANDARDS

- Third part certified to ASME A112.18.1-CSA B125.1 and all applicable requirements referenced therein including NSF61/9 & 372 and ASSE 1023

WARRANTY

- Limited lifetime warranty

Visit www.moen.com/support for complete details and limitations

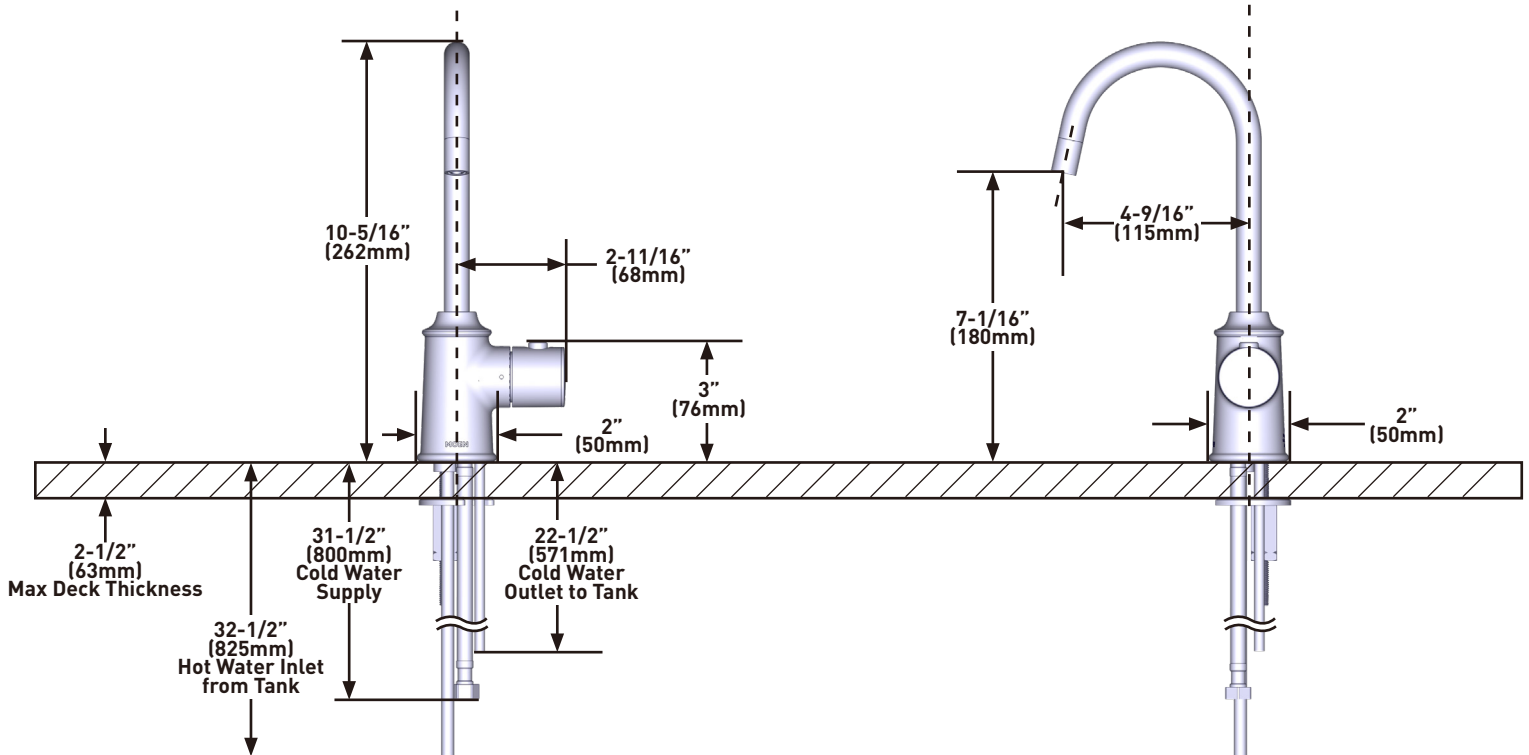


SIP™

Traditional Instant Hot Faucet

MODELS: IH7600 Series

NOTE: THIS FAUCET IS DESIGNED TO BE INSTALLED THROUGH 1 HOLE, 1-1/4" (32mm) MIN. DIA.



CRITICAL DIMENSIONS DO NOT SCALE