

Lindor™ Technical Specification

Bathroom Accessory Suite

MY8793

Stock Numbers:

- MY8793BG - Paper Holder, Towel Ring, and Towel Bar**
Brushed Gold
- MY8793BL - Paper Holder, Towel Ring, and Towel Bar**
Matte Black
- MY8793BN - Paper Holder, Towel Ring, and Towel Bar**
Brushed Nickel
- MY8793CH - Paper Holder, Towel Ring, and Towel Bar**
Chrome

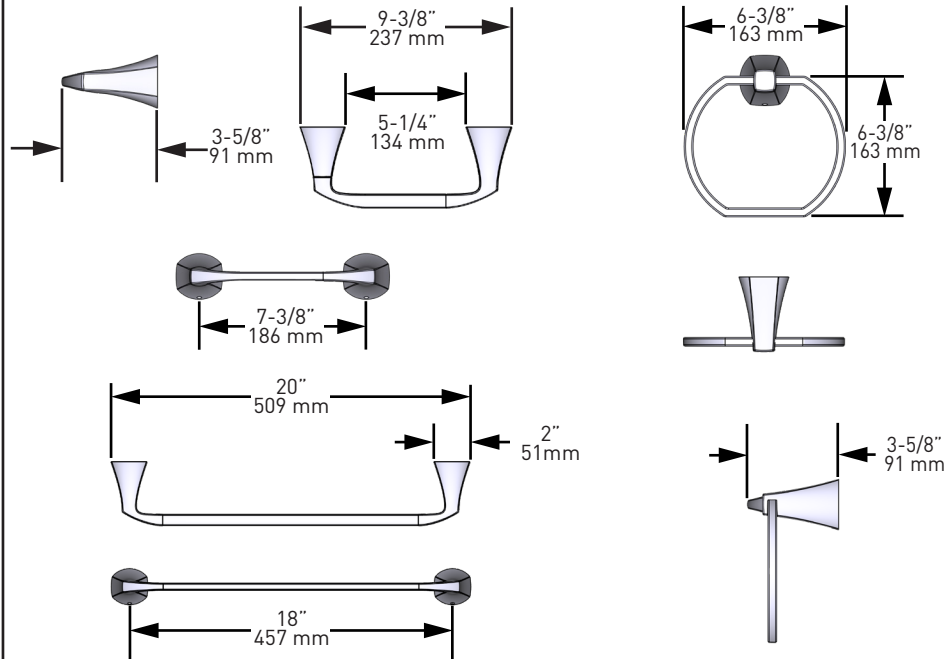
Materials:

Paper Holder is constructed of zinc.

Towel Bar Posts are constructed of zinc.
Bar is constructed of brass.

Towel Ring Post is constructed of zinc.
Ring is aluminum.

Dimensions:



Installation Instructions:

Please refer to product instructions for installation steps.

Cleaning Instructions:

To preserve the fine finish of this product, clean only with a soft damp cloth. Dry well. Do not use commercial or abrasive cleaners.

Stock Number: _____ Paper Holder, Towel Ring, Towel Bar

25300 AL MOEN DRIVE • NORTH OLMSTED, OH 44070
CORPORATE HEADQUARTERS: (800) 321-8809 • FAX: (800) 848-6636
INTERNATIONAL: (440) 962-2000 • FAX: (440) 962-2726
CUSTOMER SERVICE (USA): 800-882-0116 • FAX: (888) 379-2720
WWW.MOEN.COM

©2024 Moen Incorporated. Moen is a registered trademark and Lindor is a trademark of Moen Incorporated. All rights reserved.

MOEN®