

# MOEN®

## DESCRIPTION

- Metal construction with various finishes identified by suffix
- 1/2" IPS connections
- Includes non-metal push-down waste assembly
- Includes stating valve

## OPERATION

- Lever style handles
- Hot side counterclockwise to open (clockwise to close)
- Cold side clockwise to open (counter-clockwise to close)


## FLOW

- Water usage is limited to these maximum flow rates as indicated by the corresponding product markings
- 1.2 gpm max (4.5L/min) at 60 psi

## CARTRIDGE

- 1234 cartridge design
- Nonmetallic and stainless steel material

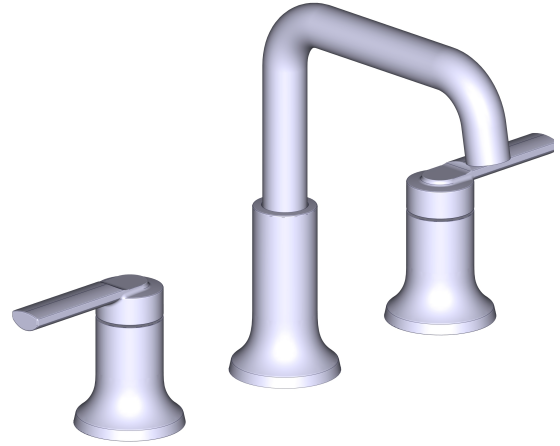
## STANDARDS

- Third party certified to WaterSense®, ASME A112.18.1/CSA B125.1 and all applicable requirements referenced therein
- Certified to NSF 61/9 & 372
- Products marked with 1.2 gpm are compliant with California water efficiency regulations
- Complies with California Proposition 65 and with the Federal Safe Drinking Water Act
- ADA  for lever handles

## WARRANTY

- Lifetime limited warranty against leaks, drips and finish defects to the original homeowner
  - 10 year limited warranty when used in a multifamily installation
  - 5 year limited warranty when used in a commercial installation
- Visit [www.moen.com/support](http://www.moen.com/support) for complete details and limitations

# SPECIFICATIONS

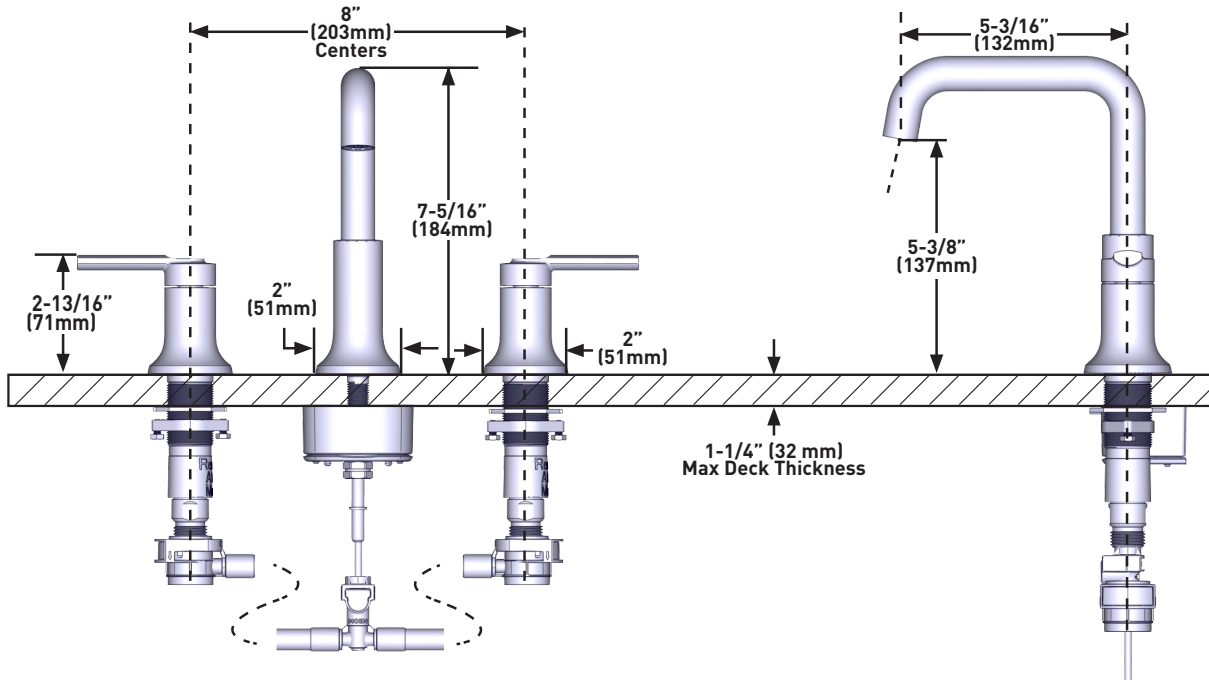


## ZYLA™

### Two-Handle Widespread Lavatory Faucet

**MODELS:** 84142 Series

**NOTE:** This faucet is designed to be installed through 3 – 1 1/8" dia. holes, 4" on center. For Deck Thickness 1-3/8" to 3", use service kit number 175709.



**CRITICAL DIMENSIONS** DO NOT SCALE