

## DESCRIPTION

- Metal construction with various finishes identified by suffix
- Flexible supply lines with 3/8" compression fittings
- Includes non-metal push-down waste assembly
- Includes optional 3 hole deck plate (escutcheon)

## OPERATION

- Lever style handles
- Temperature controlled by 100° arc of handle travel

## FLOW

- Water usage is limited to these maximum flow rates as indicated by corresponding product markings
- 1.2 gpm max (4.5 L/min) at 60 psi

## CARTRIDGE

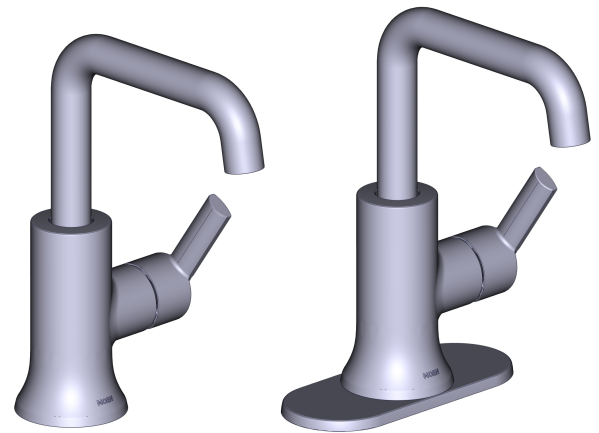
- Ceramic disc technology
- Nonmetallic/nonferrous and stainless steel material

## STANDARDS

- Third party certified at WaterSense®, ASME A112.18.1/CSA B125.1, and all applicable requirements referenced therein including NSF 61/9 & 372
- Products marked with 1.2 gpm are compliant with California water efficiency regulations
- Complies with California Proposition 65 and with the Federal Safe Drinking Water Act
- ADA ♿ for lever handles

## WARRANTY

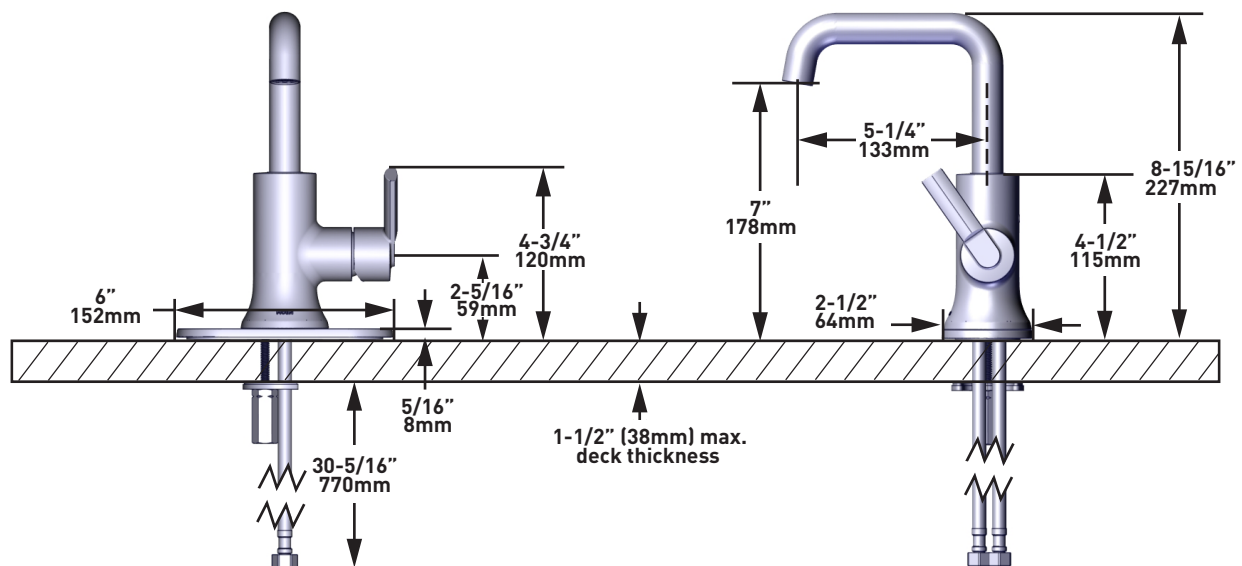
- Lifetime limited warranty against leaks, drips and finish defects to the original homeowner
  - 10 years warranty when used in a multifamily installation
  - 5 years warranty when used in a commercial installation
- Visit [www.moen.com/support](http://www.moen.com/support) for complete details and limitations



## ZYLA™

One-Handle Lavatory Faucet

**MODELS:** 84140 Series



**CRITICAL DIMENSIONS DO NOT SCALE**