

# MOEN®

# SPECIFICATIONS

## DESCRIPTION

- Component construction with various finishes identified by suffix
- Includes rainshower, handshower and hose assembly
- 60" hose included

## OPERATION

- Handshower features 3.75 in. spray face and 6 settings to allow you to customize your shower and desired spray performance
- Ability to flow each shower head separately or combined for more coverage
- Handshower angle is adjustable by adjusting the rainshower angle
- Pause/trickle button allows to momentarily pause the handshower flow at a push of a button

## FLOW

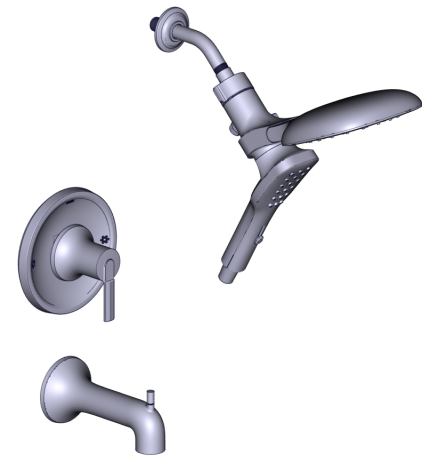
- Designed to deliver 1.75gpm (7.6 L/min) max. at 80 psi

## STANDARDS

- Designed and manufactured to comply with the applicable requirements of WaterSense®, ASME A112.18.1/CSA B-125.1, and all applicable specifications referenced therein
- Meets WaterSense® criteria

## WARRANTY

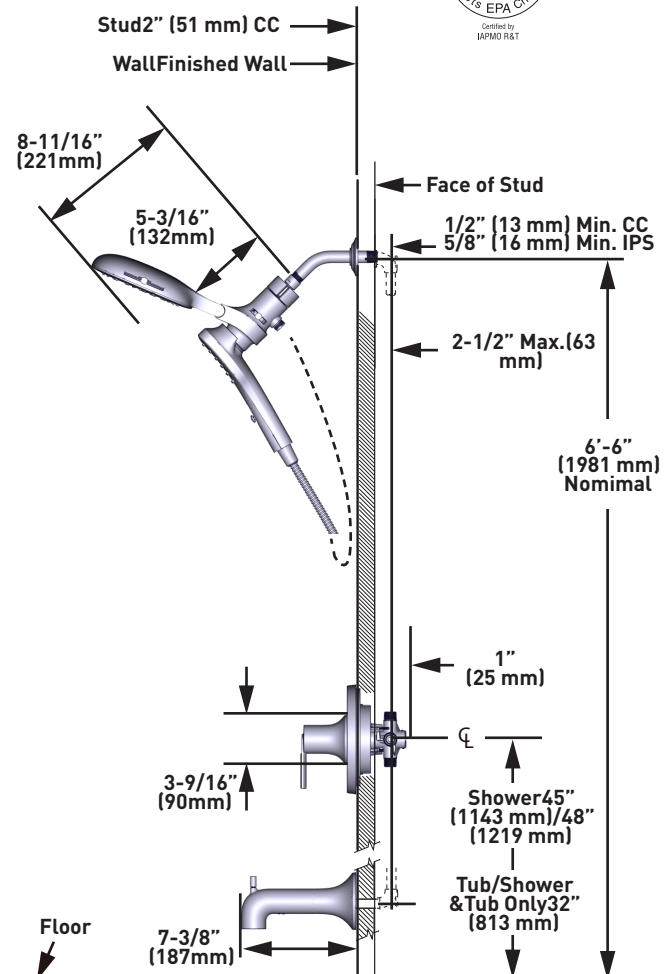
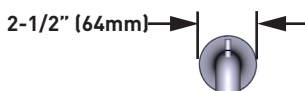
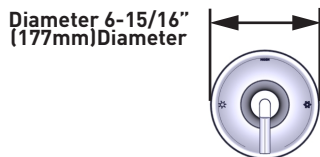
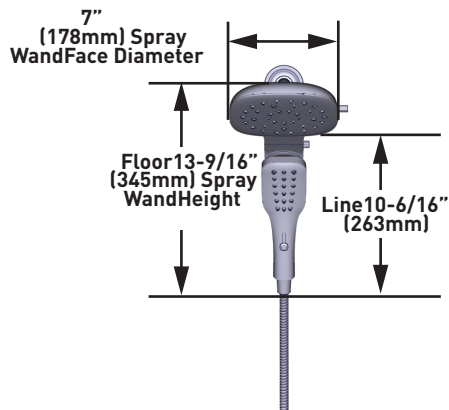
- Lifetime limited warranty against leaks, drips and finish defects to the original homeowner
  - 10 year limited warranty when used in a multifamily installation
  - 5 year limited warranty when used in a commercial installation
- Visit [www.moen.com/support](http://www.moen.com/support) for complete details and limitations



## ZYLA™ POSI-TEMP®

Single Handle Tub/Shower  
with Magnetix™ Rainshower

**MODELS:** 82140 series



**CRITICAL DIMENSIONS** DO NOT SCALE