



# SPECIFICATIONS

## DESCRIPTION

- Versatile, hands-free convenience in the kitchen
- PowerBoost™ technology provides boosted water performance with a push of a button
- Allows users to control the faucet in 4 unique ways: Handle, Sensor, Voice and Mobile App
- Motion Control technology provides hot, warm, and cold water with simple hand motions
- Powered by 6 D alkaline batteries or AC adapter with power splitter
- Metal construction with various finishes identified by suffix
- Reflex™ pulldown system offers smooth operation, easy movement and secure docking
- Duralock™ quick connect
- Pulldown spray with 68" braided hose
- Control box flexible supply lines with 3/8" compression fittings
- High arc spout provides height and reach to fill or clean large pots while pullout wand provides the maneuverability for cleaning or rinsing

## OPERATION

- Lever style handle
- Thermostatic temperature controlled by handle, sensor, voice and Mobile app
- Operates with less than 5 lbs. of force
- Operates in stream or spray mode in the pulldown or retracted position
- Spout rotates 100 degrees
- WiFi enabled smart phone connectivity
- Smart phone app available for iOS and Android

## FLOW

- Flow is limited to 1.5 gpm (5.7 L/min) at 60 psi

## CARTRIDGE

- 1255™ Duralast™ cartridge

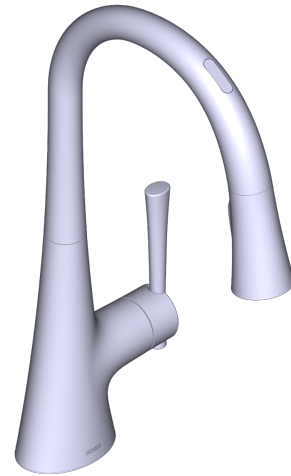
## STANDARDS

- Third party certified to IAPMO Green, ASME A112.18.1/CSA B-125.1 and all applicable requirements referenced therein including NSF 61/9 & 372
- Third party certified to meet FCC part 15 Class B
- Meets CalGreen and Georgia SB370 requirements
- Complies with California Proposition 65 and with the Federal Safe Drinking Water Act
- The backflow protection system in this device consists of two independently operating check valves, a primary and a secondary which prevent backflow
- ADA ♿ for lever handle

## WARRANTY

- Lifetime limited warranty against leaks, drips, finish defects to the original consumer purchaser
- 5 year warranty electronic operation defects to the original consumer purchaser
- 5 year against leaks, drips, finish defects if used in commercial installations
- 1 year warranty against electronic operation defects if used in commercial installations

Visit [www.moen.com/support](http://www.moen.com/support) for complete details and limitations



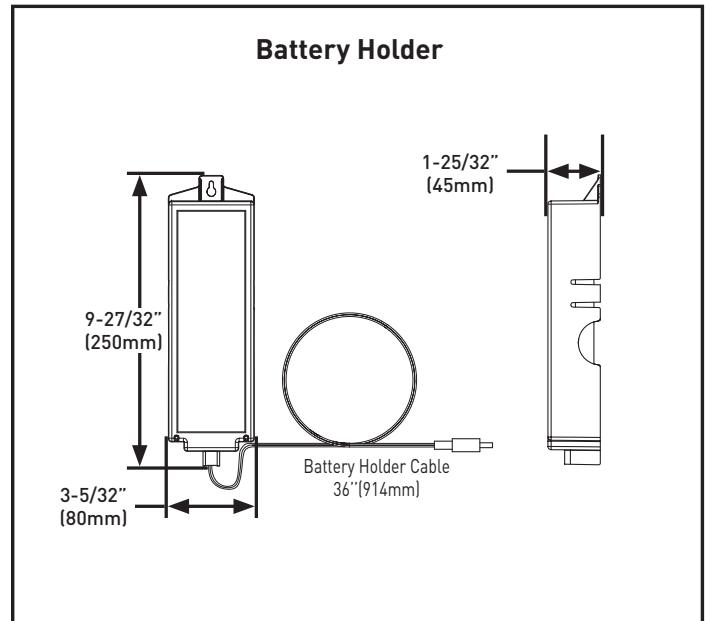
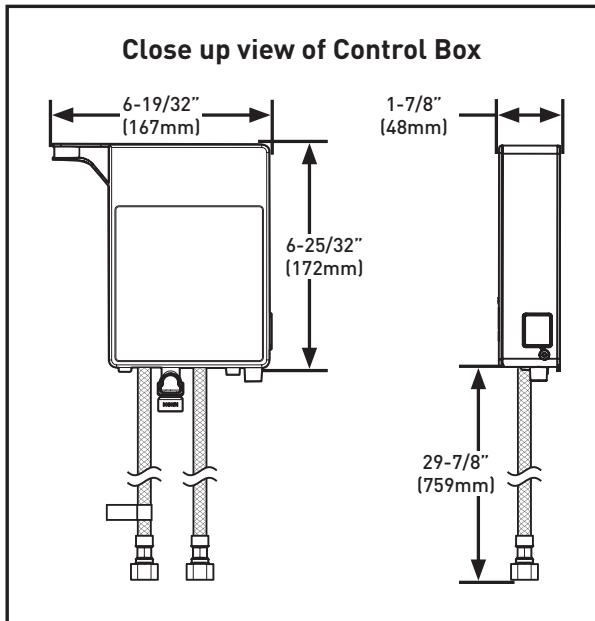
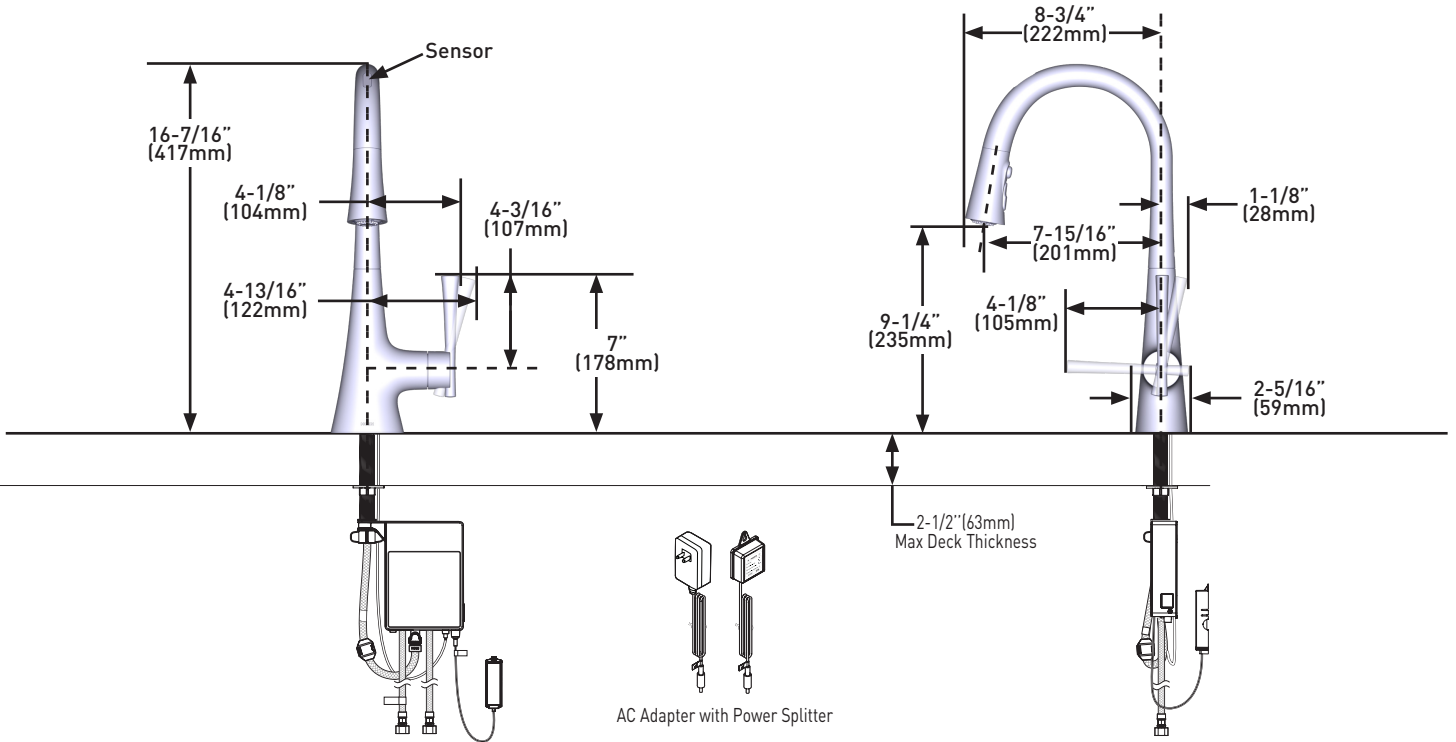
## Kurv™-Single Handle High Arc Pulldown Smart Kitchen Faucet with Motion Control

**MODELS:** 9126EV2 Series

**NOTE: THIS FAUCET IS DESIGNED TO BE INSTALLED THROUGH 1 HOLE, 1-1/2" (38mm) MIN. DIA.**



**CRITICAL DIMENSIONS** DO NOT SCALE



**CRITICAL DIMENSIONS** DO NOT SCALE