

MOEN®

SPECIFICATIONS


DESCRIPTION

- Metal construction with various finishes identified by suffix
- Hot and cold temperature indicators available

OPERATION

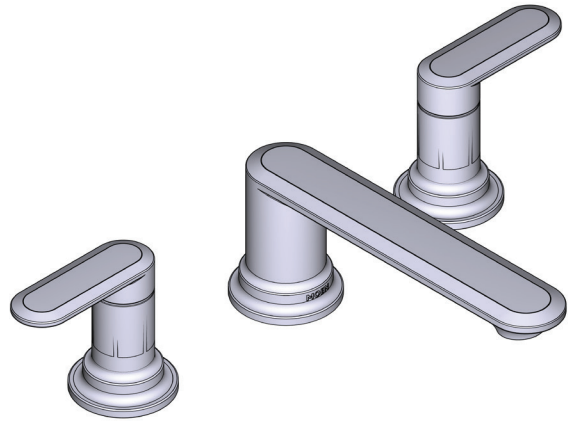
- Lever style handles with optional hot and cold indicators available
- Rotate hot side handle counterclockwise to open (clockwise to close) and the cold side handle clockwise to open (counterclockwise to close)

STANDARDS

- Third party certified to meet ASME A112.18.1/CSA B125.1 and all applicable requirements referenced therein
- ADA  for lever handle

WARRANTY

- Limited lifetime warranty against leaks, drips and finish defects to the original consumer purchaser
- 5 year warranty if used in commercial installations

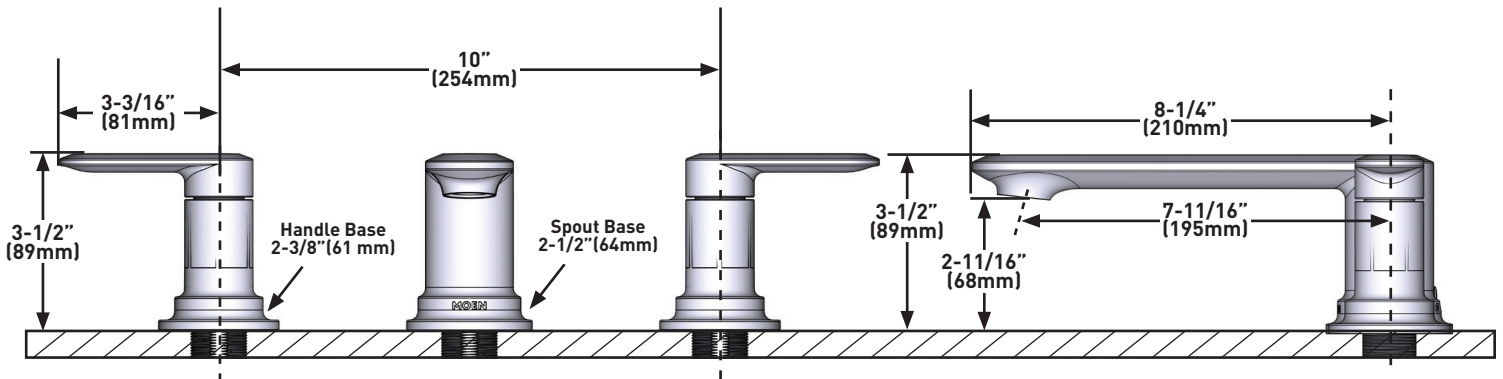


GREENFIELD™

Two-Handle Roman Tub Faucet Trim

MODELS: T6503 Series

VALVES: 4792, 4793, 4794,
4796, 4797, 4798



CRITICAL DIMENSIONS DO NOT SCALE