

MOEN®

DESCRIPTION

- Metal construction with various finishes identified by suffix
- Flexible supply lines with 3/8" compression fittings
- Includes push-down drain assembly
- Includes optional 3 hole deck plate (escutcheon)

OPERATION

- Lever style handle
- Temperature controlled by 100° arc of handle travel


FLOW

- Water usage is limited to these maximum flow rates as indicated by the corresponding product markings.
- Flow is limited to 1.2 gpm max (4.5 L/min) at 60 psi

CARTRIDGE

- 1255™ Duralast™ cartridge for Single-Handle Faucets
- Nonmetallic/nonferrous and ceramic material

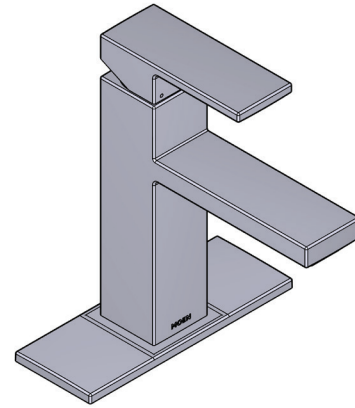
STANDARDS

- Third party certified to ASME A112.18.1/CSA B125.1, NSF 61/9, 372, and all applicable requirements referenced therein
- Third party certified to comply with WaterSense® High Efficiency Bathroom Sink Faucet Specification
- Complies with California Proposition 65 and with the Federal Safe Drinking Water Act
- **ADA**  for lever handle

WARRANTY

- Lifetime limited warranty against leaks, drips and finish defects to the original homeowner
- 10 year limited warranty when used in a multifamily installation
- 5 year limited warranty when used in a commercial installation
- Visit www.moen.com/support for complete details and limitations

SPECIFICATIONS

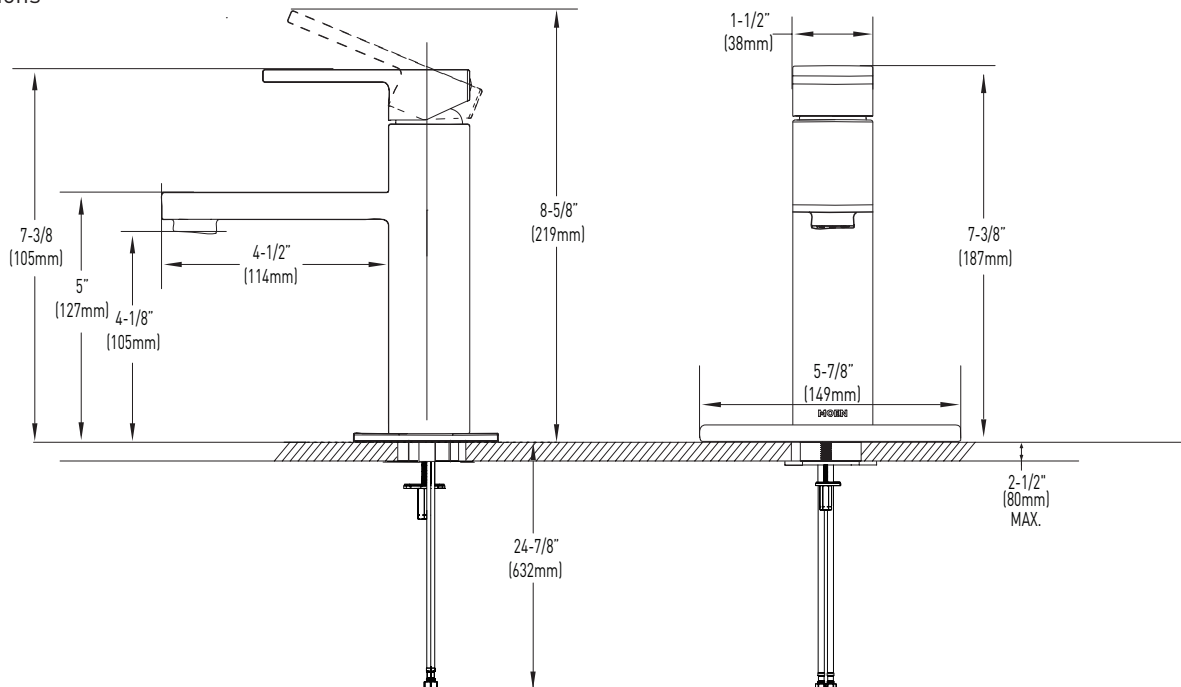


Revyl™

Single-Handle Lavatory Faucet

MODELS: 84771 series
(Includes deck plate)

NOTE:
*THIS FAUCET IS DESIGNED TO BE
IN STALLED THROUGH 1 HOLE, 1-1/4" MIN. DIA.*



CRITICAL DIMENSIONS DO NOT SCALE