

# MOEN®

There is more than one version of this model.

Page down to identify the version you have.

## DESCRIPTION

- Duralock™ quick connect installation
- Metal construction with various finishes identified by suffix
- 1/2" IPS connections
- Includes non-metal push down waste assembly

## OPERATION

- Lever style handles
- Hot side counterclockwise to open (clockwise to close)
- Cold side clockwise to open (counterclockwise to close)

## FLOW

- Water usage is limited to these maximum flow rates as indicated by the corresponding product markings
- 1.2 gpm max (4.5L/min) at 60 psi

## CARTRIDGE

- 1234 cartridge
- Nonmetallic and stainless steel material

## STANDARDS

- Third party certified to WaterSense®, ASME A112.18.1/CSA B125.1, and all applicable requirements referenced therein
- Certified to NSF 61/9 & 372
- Products marked with 1.2 gpm are compliant with California water efficiency regulations
- Complies with California Proposition 65 and with the Federal Safe Drinking Water Act
- ADA for lever handle

## WARRANTY

- Lifetime limited warranty against leaks, drips and finish defects to the original homeowner
- 10 year limited warranty when used in a multifamily installation
- 5 year limited warranty when used in a commercial installation
- Visit [www.moen.com/support](http://www.moen.com/support) for complete details and limitations

# SPECIFICATIONS



## Mikah™

Two-Handle Widespread Lavatory Faucet

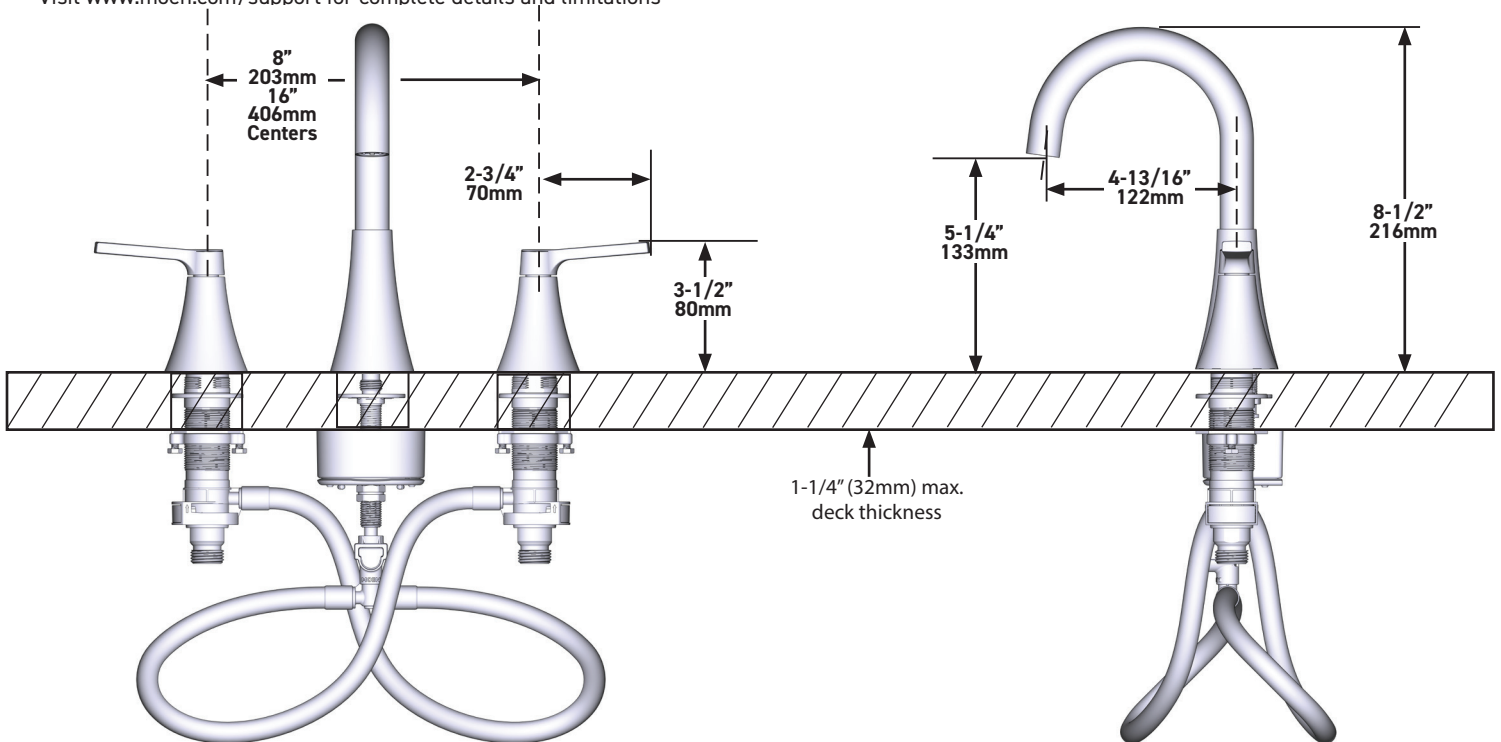
**MODELS:** 84312 Series

**NOTE: SPOUT INSTALLS THROUGH 1-1/8" MIN. DIA. HOLE.**

**VALVES INSTALL THROUGH 1-1/8" MIN. DIA. HOLE.**

**For Deck Thickness 1-3/8" to 3", use service kit number 175709.**

**Valves install through 1-1/4" dia. hole.**



## CRITICAL DIMENSIONS

DO NOT SCALE

## DESCRIPTION

- Duralock™ quick connect installation
- Metal construction with various finishes identified by suffix
- Includes non-metal push-down waste assembly
- 1/2" IPS connections

## OPERATION

- Lever style handles
- Hot side counterclockwise to open (clockwise to close)
- Cold side clockwise to open (counter-clockwise to close)

## FLOW

- Water usage is limited to these maximum flow rates as indicated by the corresponding product markings
- 1.2 gpm max (4.5 L/min) at 60 psi

## CARTRIDGE

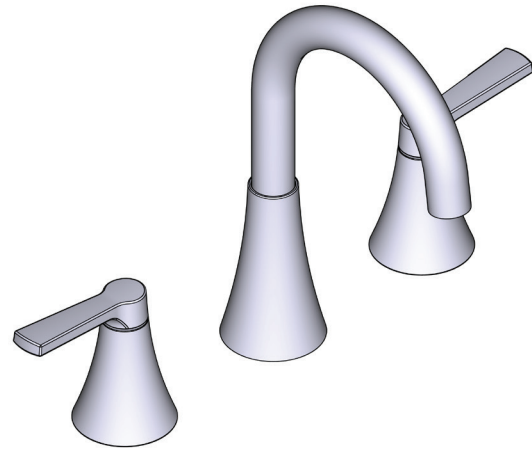
- 1234 cartridge design
- Nonmetallic and stainless steel material

## STANDARDS

- Third party certified at WaterSense®, ASME A112.18.1/CSA B125.1, and all applicable requirements referenced therein including NSF 61/9 & 372
- Products marked with 1.2 gpm are compliant with California water efficiency regulations
- Complies with California Proposition 65 and with the Federal Safe Drinking Water Act
- **ADA** ♿ for lever handles

## WARRANTY

- Lifetime limited warranty against leaks, drips and finish defects to the original consumer purchaser
- 10 years limited warranty when used in a multifamily installation
- 5 years limited warranty if used in commercial installations

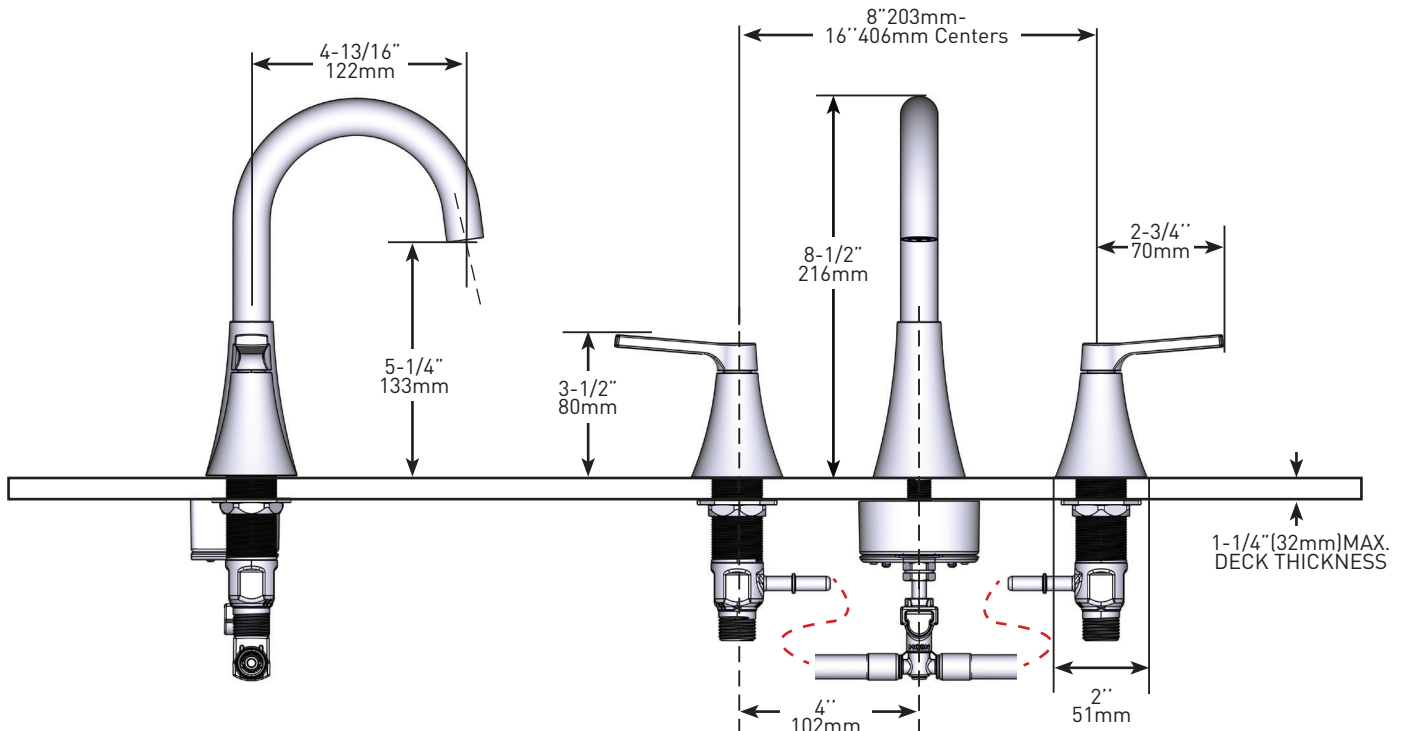


## Mikah™

Two-Handle Widespread Lavatory Faucet

**MODELS:** 84312 series

**NOTE:** SPOUT INSTALLS THROUGH 1-1/8" MIN. DIA. HOLE. VALVES INSTALL THROUGH 1-8" MIN. DIA. HOLE. For Deck Thickness 1-3/8" to 3", use service kit number 115001. Valves install through 1-1/4" dia. hole.



**CRITICAL DIMENSIONS** DO NOT SCALE