

DESCRIPTION

- Dualmount application: Drop in or Undermount
- Sink: 18 Gauge stainless steel, brushed finish, 1 hole
- Minimum Cabinet Size: 36"
- Overall sink dimension 33" x 22" x 9"
- Bowl: 29-13/16" x 16-1/2" x 9"
- Corner radius: R15
- 3-1/2" diameter recessed drain opening
- Soundshield™ undercoating maximizes sound deadening and inhibits condensation

INCLUDED

- Faucet: Pulldown faucet in Spot Resist™ Stainless finish
- Drop-in hardware for top mount installation

SOLD SEPARATELY

- Drain
- Undermount installation clips

CUT OUT DIMENSIONS

- Cut out dimensions are 32-3/8" x 21-3/8", with a 3/8" corner radius (top mount)
- Cut out template (undermount) included
- A tolerance of plus/minus 1/16" is acceptable

STANDARDS

- Third party certified by IAPMO to meet ASME A112.19.3/CSA B45.4 and all applicable specifications referenced therein

FAUCET STANDARDS

- Third party certified to ASME A112.18.1/CSA B 125.1, and all applicable requirements referenced therein including NSF 61/9 & 372
- Meets CalGreen and Georgia SB8370 requirements
- Complies with California Proposition 65 and with the Federal Safe Drinking Water Act
- The backflow protection system in the device consists of two independently operating check valves, a primary and a secondary which prevents backflow
- ADA ♿ for lever handle

WARRANTY

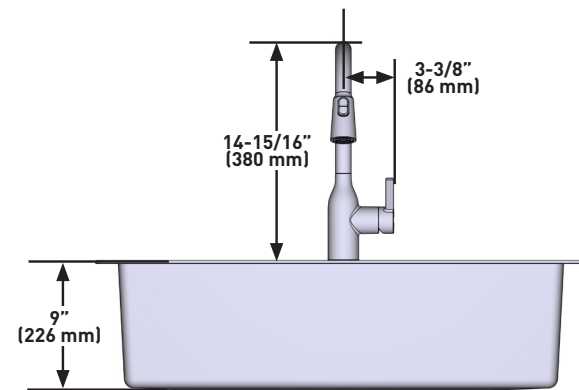
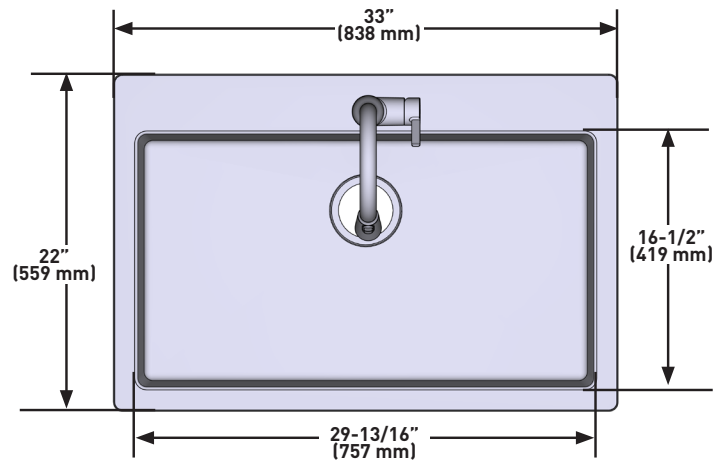
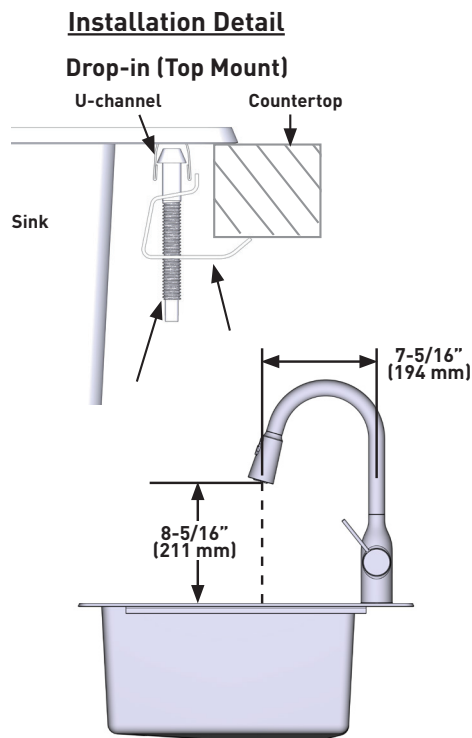
- Lifetime limited warranty against leaks, drips and finish defects to the original consumer purchaser
- 10 year limited warranty when used in a multifamily installation
- 5 year limited warranty when used in a commercial installation
- Visit www.moen.com/support for complete details and limitations



KENADI™

Single Bowl Dual Mount Sink
with Pulldown Faucet

MODELS: 21597



CRITICAL DIMENSIONS DO NOT SCALE