

AVRI™ Technical Specification

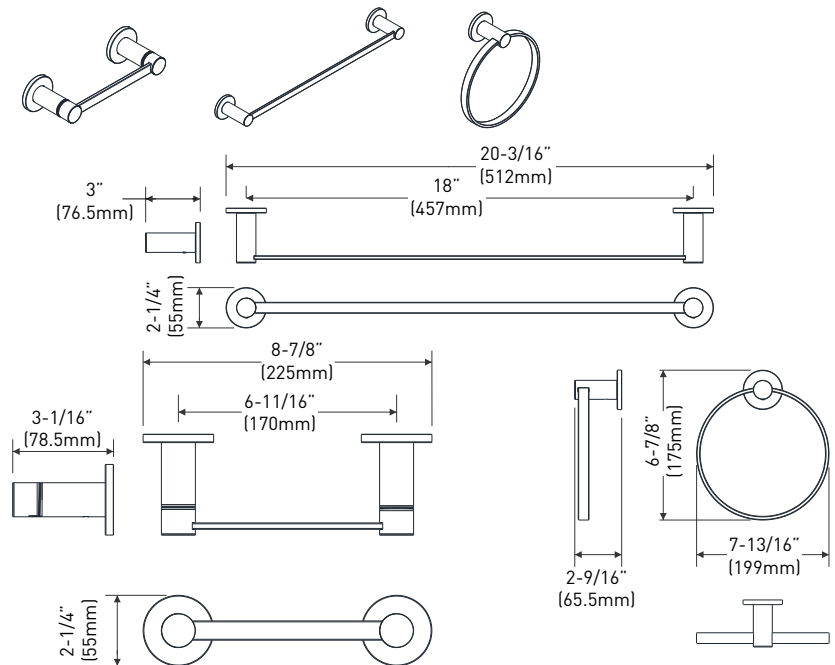
3 Piece Bath Accessory Kit

YB1493

Stock Numbers:

- **Y1493CH – Pivoting Paper Holder, Towel Ring, 18" Towel Bar**
Chrome Finish
- **Y1493BN – Pivoting Paper Holder, Towel Ring, 18" Towel Bar**
Brushed Nickel Finish
- **Y1493BL – Pivoting Paper Holder, Towel Ring, 18" Towel Bar**
Matte Black Finish

Dimensions:



Materials:

Pivoting Paper Holder, Towel Ring, 18" Towel Bar Chrome and Brushed Nickel is constructed of SUS304.

Pivoting Paper Holder, Towel Ring, 18" Towel Bar Matte Black is constructed of SUS201.

Installation Instructions:

Please refer to product instructions for installation steps.

MOEN®

Stock Number: _____ Pivoting Paper Holder,
Towel Ring, 18" Towel Bar By Moen Incorporated

25300 AL MOEN DRIVE • NORTH OLMSTED, OH 44070
CORPORATE HEADQUARTERS: (800) 321-8809 • FAX: (800) 848-6636
INTERNATIONAL: (440) 962-2000 • FAX: (440) 962-2726
CUSTOMER SERVICE (USA): 800-882-0116 • FAX: (888) 379-2720
WWW.MOEN.COM
© 2023 Moen Incorporated.