

Graeden™ Technical Specification

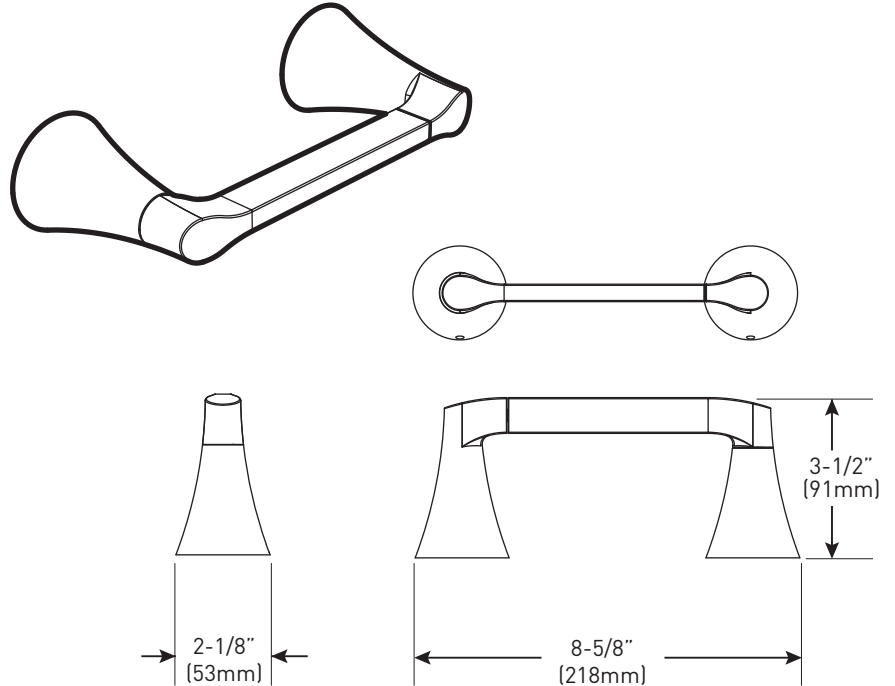
Pivoting Paper Holder

Y0908

Stock Numbers:

- Y0908CH – Pivoting Paper Holder
Chrome Finish
- Y0908BN – Pivoting Paper Holder
Brushed Nickel Finish
- Y0908BL – Pivoting Paper Holder
Matte Black Finish

Dimensions:



Materials:

Pivoting Paper Holder is constructed of zinc.

Installation Instructions:

Please refer to product instructions for installation steps.

Cleaning Instructions:

To preserve the fine finish of this product, clean only with a soft damp cloth. Dry well. Do not use commercial or abrasive cleaners.

Stock Number: _____ Pivoting Paper Holder
By Moen Incorporated

MOEN®

25300 AL MOEN DRIVE • NORTH OLMSTED, OH 44070
CORPORATE HEADQUARTERS: (800) 321-8809 • FAX: (800) 848-6636
INTERNATIONAL: (440) 962-2000 • FAX: (440) 962-2726
CUSTOMER SERVICE (USA): 800-882-0116 • FAX: (888) 379-2720
WWW.MOEN.COM
© 2023 Moen Incorporated.