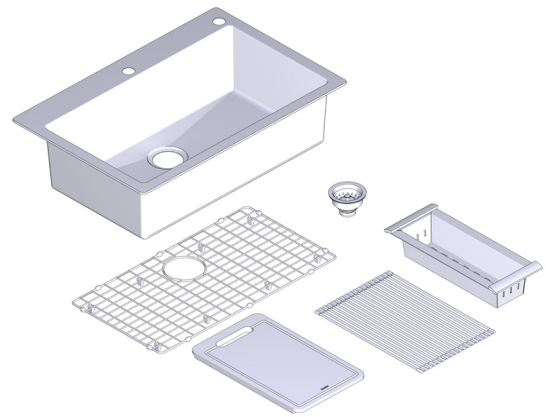


Model Number	Holes	Depth-Inches	Drain Placement
GS181012BUX	2	9"	Rear (Center)



SINK DESCRIPTION

- 1800 Series single bowl dual mount sink
- 18 gauge stainless steel, brushed finish
- 15 mm corner radius
- Dual mount hardware included
- SoundSHIELD™ sound absorbing system

WARRANTY

- Lifetime limited warranty to the original homeowner
- 10 year limited warranty when used in a Multi-family installation
- 5 year limited warranty when used in a Commercial installation
- 1 year limited warranty on accessories
- Visit www.moen.com/customer-support/warranty for complete details and limitations

SINK DIMENSIONS

- Minimum cabinet size: 36"
- Overall: 33" x 22"
- Bowl: 29-7/8" x 16-1/2"
- Drain Size: 3-1/2"

CUT OUT DIMENSIONS

- Cut out template included (**Note:** Cut out template must be used to ensure proper fit of the accessories)

STANDARDS

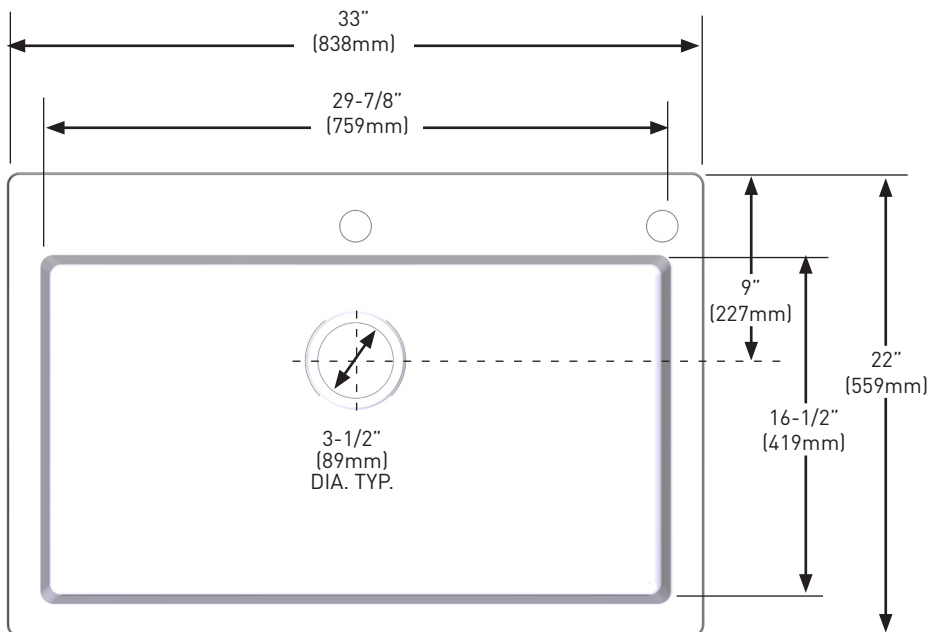
- Third party certified to meet ASME A12.19.3/CSA B45.4 and all applicable specifications referenced therein

ACCESSORIES - (Hand wash only)

- Cutting Board
- Drying Rack
- Colander
- Grid
- Strainer

CRITICAL DIMENSIONS

(DO NOT SCALE)



Installation Detail

