

DESCRIPTION

- **Independent Zone Control:**
Select any zone to run or pause watering
- **Scheduling:** Create a custom daily/weekly schedule for watering zones
- **Weather Skip:**
Automatically skips watering due to past and present precipitation
- **Autonomous Watering:**
Automatically waters your lawn based off weather and soil data
- **Dynamic Watering Adjustments:** Varying, precise irrigation by zone need
- **Seasonal Adjustments:**
Automatic adjustments depending on season
- **Watering Restrictions:**
Accommodates local/temporary watering bans based on user input
- **Valve Diagnostics:**
System tests for valve health prior to watering
- **Water Usage:**
Displays water usage in gallons so users can understand water consumption trends
- **Outdoor Rated:**
May be installed outdoors when installed in Moen Smart Sprinkler Controller Outdoor Enclosure.

OPERATION

- **Alerts:** provide notifications when watering is paused, stopped, skipped or if issues occur
Part of the Moen Smart Water Network so users can have complete control over water in and out of the home, offering compatibility with the Flo Smart Water Monitor and Shutoff

STANDARDS

- Third party certified to UL1951 and CSA C22.2 No. 68
- Certified to WaterSense Standard for Soil Moisture-Based Irrigation Controllers when used with Moen Irrigation Sensor

WARRANTY

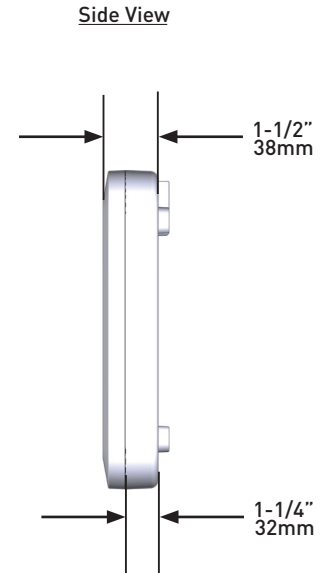
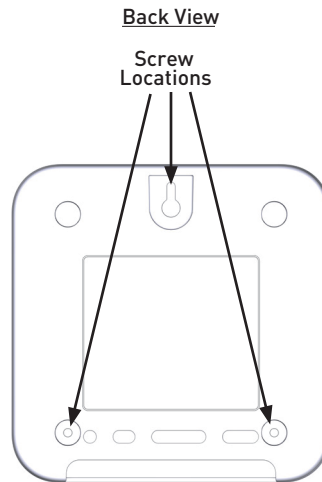
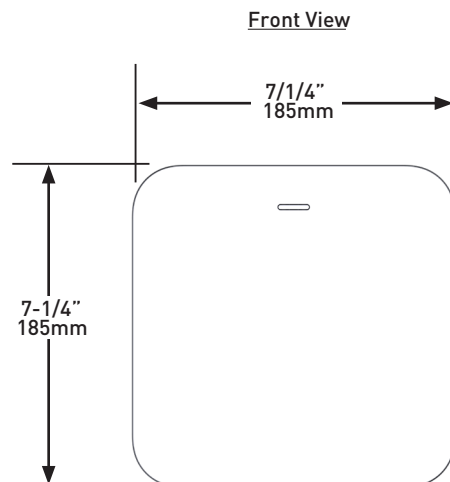
- Backed by Moen's 1-year limited warranty to cover any manufacturer defects.



Moen®

Smart Sprinkler Controller, 8 & 16-Zones

MODELS WICNT008G1CAN
WICNT008G1USA
WICNT016G1CAN
WICNT016G1USA



CRITICAL DIMENSIONS DO NOT SCALE