

DESCRIPTION

- Round bidet toilet seat (electronic) with remote control and warm air drying

- Color: White

OPERATION

- Use as a retrofit product to convert regular elongated toilet seat to an electronic bidet toilet seat with remote control

INSTALLATION REQUIREMENTS

- Fits most round bowl (see below for specifications)
 - The distance between the 2 mounting holes must be between 4-1/2" and 6-15/16" (11.4cm - 17.7cm)
 - The distance from the supply valve to the eBidet inlet should be 23-9/16" (59.8cm) or less
 - The distance between the mounting holes and the edge of the toilet bowl must be between 18" and 19-3/4" (45.7cm - 50.1cm)
 - Standard power outlet within 47" (119.4cm) of product required: 120V AC on a minimum 10A circuit
 - Requires minimum dynamic (flowing) water pressure of 11 psi (0.08MPa) and a maximum static (non-flowing) water pressure of 116 psi (0.8MPa)

PRODUCT FEATURES

- Dual nozzles offer front and rear cleansing
- Pulsating and oscillating cleanse
- Water pressure and temperature adjustability
- Endless, instantaneous, warm water (inline water heater)
- Soft-close lid and seat
- Self-cleaning options with replaceable nozzles
- Auto-clean wash cycle, oscillates nozzle for 90 seconds; Air Dryer for 4 minutes
- Nozzle positions adjustable with 5 positions
- Water Temperature, 4 levels: Cold, Warm, Hot, Off
- Seat Temperature, 4 levels: Cold, Warm, Hot, Off
- Hot & Cold Massage option for additional relief
- Aerated spray to provide a total clean
- Hygienic and heated seat with temperature control and sensor
- Warm air dryer with temperature control
- Convenient Remote control activation (3-AAA Batteries)
- Nightlight
- UV Technology for enhanced cleanliness
- Auto energy saver
- Retrofittable design featuring quick-release hinges

STANDARDS

- Third party certified by Intertek:
- ASME A112.4.2 / CSA B45.16 Personal hygiene devices for water closets, which includes conformity to IAPMO / ANSI Z124.5 plastic toilet seats
- CSA C22.2 no. 68 Motor-operated appliances (household and commercial)
- CSA C22.2 no. 64 Household cooking and liquid-heating appliances
- ADA Compliant

WARRANTY

- Limited 3 year warranty against leaks and finish defects to the original consumer purchaser
 - 1 year warranty if used in commercial installations
- Visit www.moen.com/support for complete details and limitations



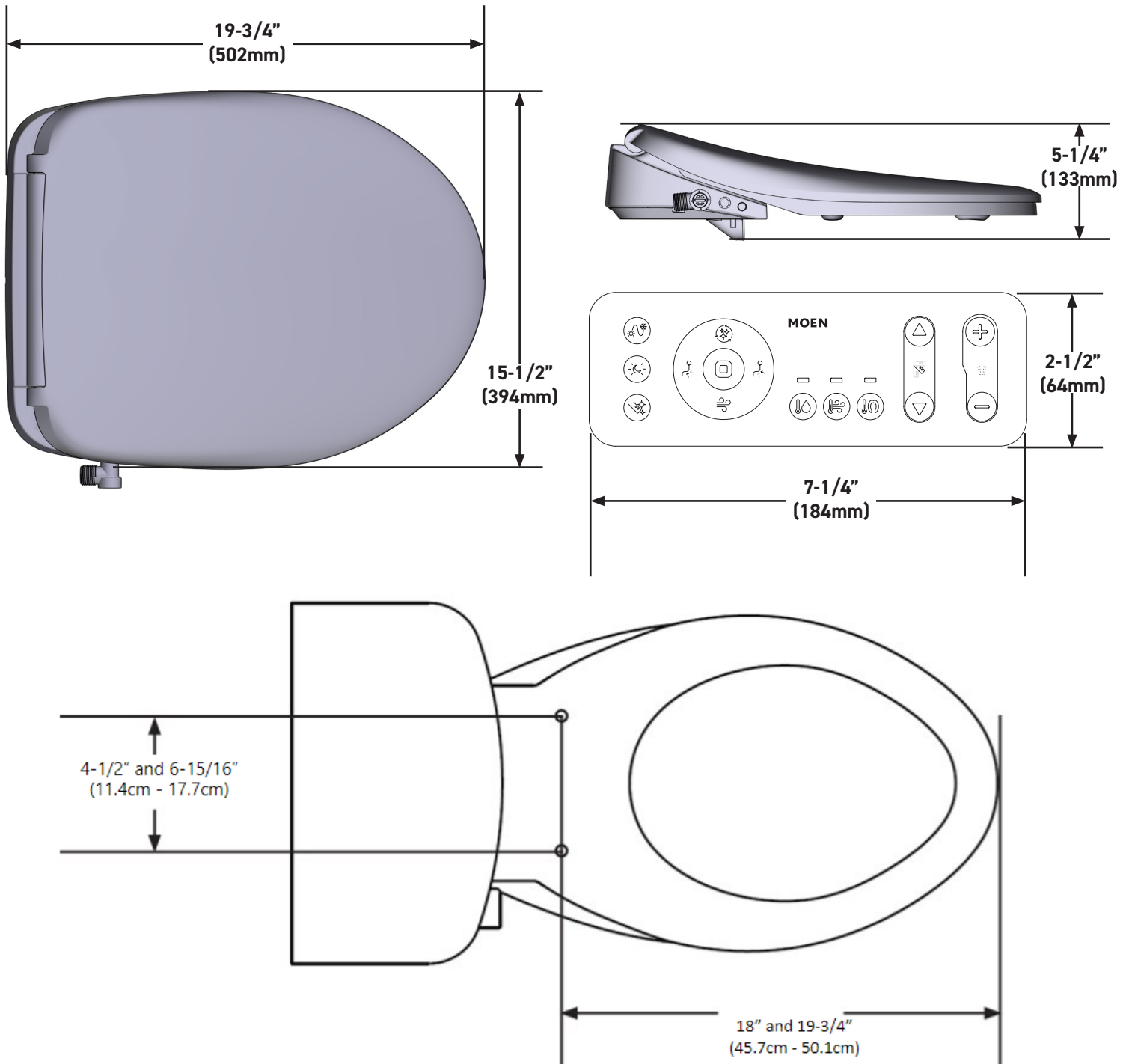
Moen®
eBidet

MODELS: EB2000-R



PRODUCT DETAILS

- Dimensions: 19-3/4" (502mm) x 15-1/2" (394mm) x 5-1/4" (133mm)
 - Gross Weight: 5.16 lb.
 - Rated Power Usage: 1050W
 - Length of Power Cord: 4.0 ft.
- Nozzle Flow Rates (Rear & Front): ≈20.29oz/min
 - Water Temperature: from Ambient to 102.2°F
- Heated Seat Temperature: from Ambient to 102.2°F
 - Dryer: Air Temperature: 131°F
 - Dryer: Air Volume: ≈0.25m³/min
- Water Supply Pressure: 0.07MPa to 0.75MPa
 - Water Supply Temperature: 41°F to 104°F
 - Ambient Temperature: 41°F to 104°F



CRITICAL DIMENSIONS DO NOT SCALE