

## DESCRIPTION

- Elongated bidet toilet seat (electronic)
- Color: White

## OPERATION

- Use as a retrofit product to convert regular elongated toilet seats to an electronic bidet toilet seat

## INSTALLATION REQUIREMENTS

- Fits most elongated bowl (see below for specifications)
  - The distance between the 2 mounting holes must be between 4-9/10" and 7-1/2" (12.5cm - 19cm)
  - The distance from the supply valve to the eBidet inlet should be 19-7/10" (50cm) or less
  - The distance between the mounting holes and the edge of the toilet bowl must be between 17-7/10" and 19-3/10" (45cm - 49cm)
  - Requires minimum dynamic (flowing) water pressure of 10 psi (0.07MPa) and a maximum static (non-flowing) water pressure of 110 psi (0.75MPa)
- Required: 120V AC power outlet on a 10A minimum circuit
- 48 inch electrical cord included

## PRODUCT FEATURES

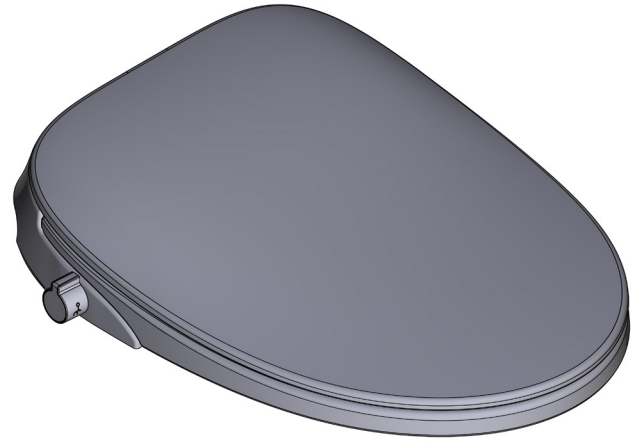
- Dual nozzles offer front and rear cleansing
- Water pressure and temperature adjustability
- Endless, instantaneous, warm water
- Soft-close lid and seat
- Self-cleaning options with replaceable nozzles
- Hygienic and heated seat with temperature control and sensor
- Operates via an easy turn knob and buttons
- Retrofittable design featuring quick-release hinges

## STANDARDS

- Third party certified by Intertek:
- ASME A112.4.2 / CSA B45.16 Personal hygiene devices for water closets, which includes conformity to IAPMO / ANSI Z124.5 plastic toilet seats
- CSA C22.2 no. 68 Motor-operated appliances (household and commercial)
- CSA C22.2 no. 64 Household cooking and liquid-heating appliances
- UL 1431 standard for personal hygiene and health care appliances
- ADA Compliant

## WARRANTY

- Limited 3 year warranty against leaks and finish defects to the original consumer purchaser
  - 1 year warranty if used in commercial installations
- Visit [www.moen.com/support](http://www.moen.com/support) for complete details and limitations



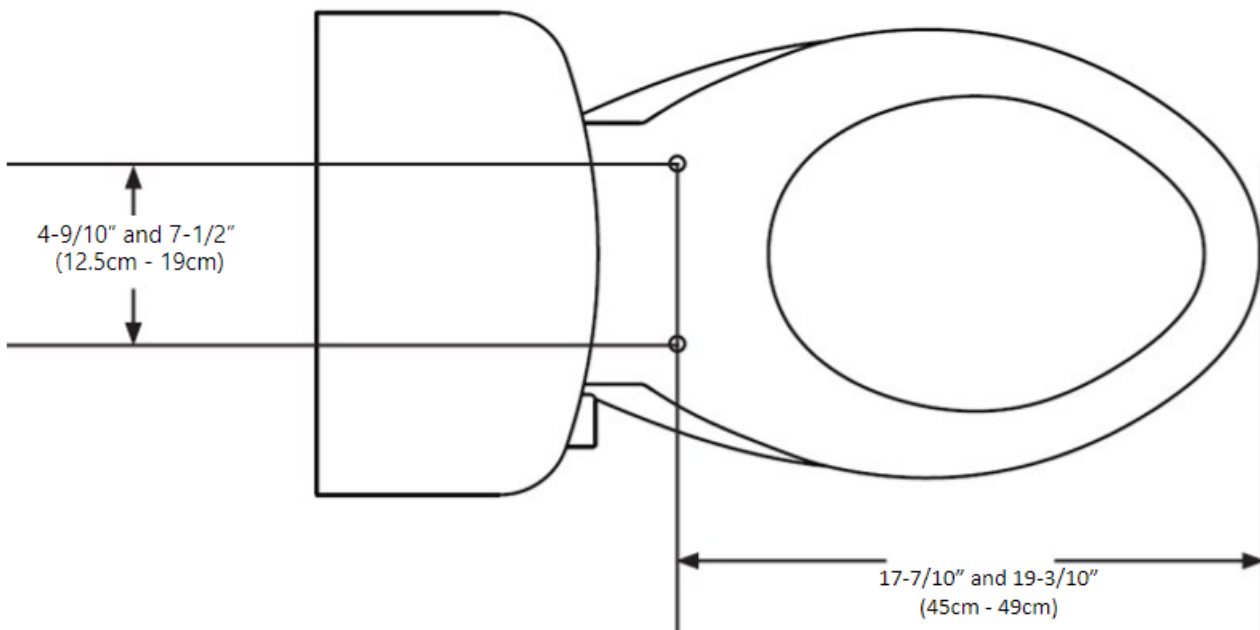
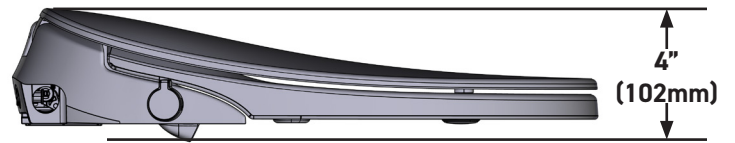
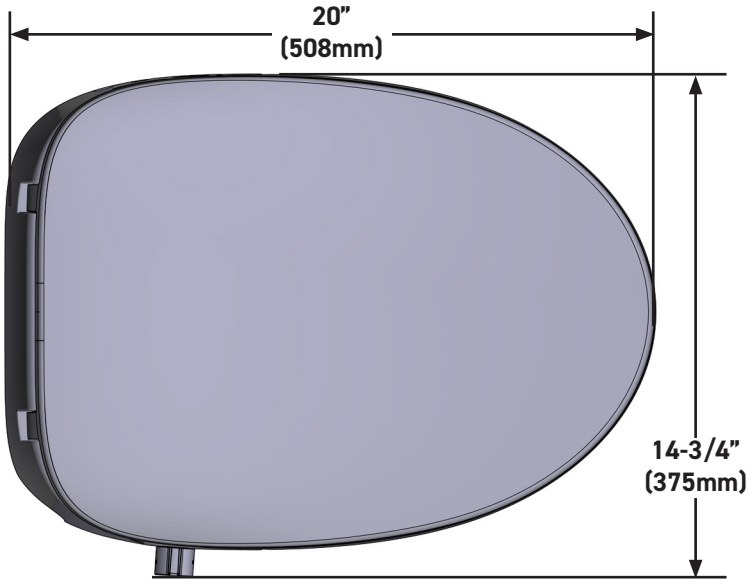
Moen®  
eBidet

**MODELS:** EB800-E



## PRODUCT DETAILS

- Dimensions: 14-3/4" (375mm) x 20" (508mm) x 4" (102mm)
  - Gross Weight: 5.50 lb.
  - Rated Power Usage: 1260W
  - Length of Power Cord: 4.0 ft.
- Nozzle Flow Rates (Rear & Front): 15.22 to 27.05 oz./min.
  - Water Temperature: 89.6°F to 107.6°F
  - Heated Seat Temperature: 100.4°F
- Water Supply Pressure: 0.07MPa to 0.75MPa
- Water Supply Temperature: 39.2°F to 95°F
- Ambient Temperature: 32°F to 104°F



**CRITICAL DIMENSIONS** DO NOT SCALE