

DESCRIPTION

- Round bidet toilet seat (non-electronic)
- Color: White

OPERATION

- Use as a retrofit product to convert regular round toilet seat to a bidet toilet seat

INSTALLATION REQUIREMENTS

- Fits most round bowl (see below for specifications)
 - The distance between the 2 mounting holes must be between 4-3/16" and 6-1/2" (10.7cm - 16.5cm)
 - The distance from the supply valve to the Bidet inlet should be 23-9/16" (59.8cm) or less
 - The distance between the mounting holes and the edge of the toilet bowl must be between 16-1/8" and 18-1/8" (41cm - 46.1cm)
 - Requires minimum dynamic (flowing) water pressure of 10 psi (0.07MPa) and a maximum static (non-flowing) water pressure of 110 psi (0.75MPa)
- Does not require a power outlet

PRODUCT FEATURES

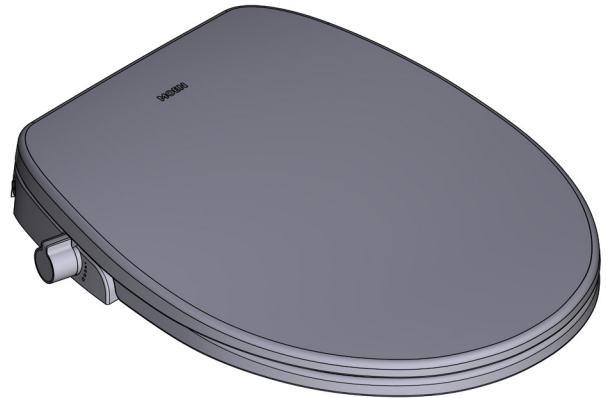
- Dual nozzles offer front and rear cleansing for a complete clean
- Water pressure control provides a customized experience.
- Soft-close lid and seat
- Self-cleaning options with replaceable nozzles
- Water pressure and nozzle position adjusted via an easy turn knob
- Easy install and retrofittable design featuring quick-release hinges

STANDARDS

- Third party certified by Intertek:
- ASME A112.4.2 / CSA B45.16 Personal hygiene devices for water closets, which includes conformity to IAPMO / ANSI Z124.5 plastic toilet seats
- ADA Compliant

WARRANTY

- Limited 3 year warranty against leaks and finish defects to the original consumer purchaser
- 1 year warranty if used in commercial installations
Visit www.moen.com/support for complete details and limitations



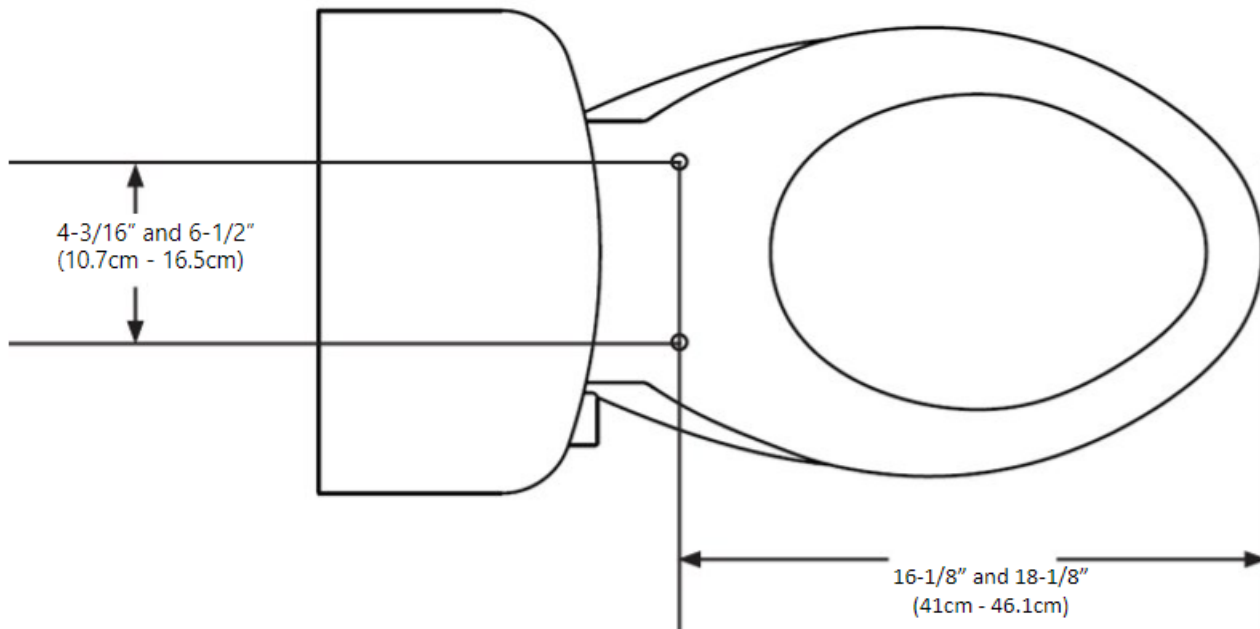
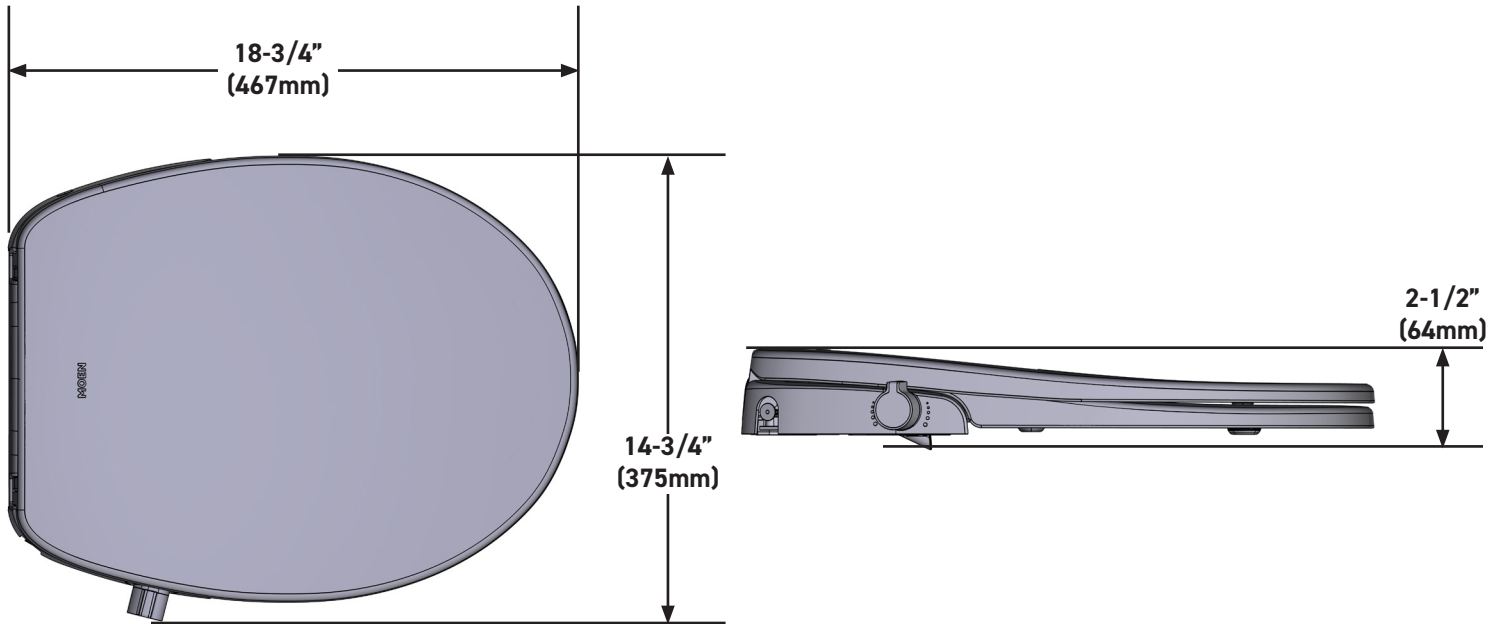
Moen®
Bidet

MODELS: EB500-R



PRODUCT DETAILS

- Dimensions: 14-3/4" (375mm) x 18-3/4" (476mm) x 2-1/2" (64mm)
 - Gross Weight: 2.65 lb.
- Nozzle Flow Rates (Rear & Front): ≈11.83 to 54.10 oz./min.
- Water Supply Pressure: 0.07MPa to 0.8MPa
 - Ambient Temperature: 32°F to 104°F



CRITICAL DIMENSIONS DO NOT SCALE