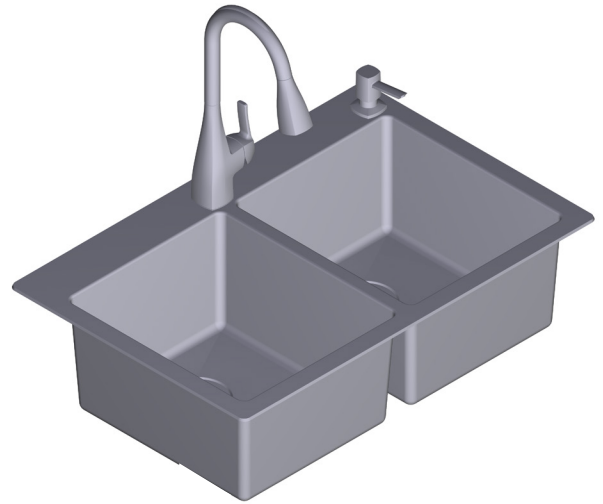


DESCRIPTION

- Manufactured from 18 gauge, stainless steel
- Overall sink dimension 33" x 22"
- Bowl Left: 14-5/16" x 16-1/2" x 9"
- Bowl Right: 14-5/16" x 16-1/2" x 9"
- Pulldown faucet with soap dispenser in Spot Resist™ Stainless finish
- 3-1/2" diameter recessed drain opening in each bowl
- Included sink drain assemblies (Qty 2)
- Soundshield™ undercoating maximizes sound deadening and inhibits condensation
- QuickMount™ mounting hardware for top-mount installation
- Under-mount installation clips not included
- Cut out dimensions are 32-3/8" x 21-3/8", with a 3/8" corner radius (top mount)
- Cut out profile is shown on included template (under mount)
- QuickMount™ hardware can be installed on a deck thickness of 5/8" to 1-5/8"
- A tolerance of plus/minus 1/16" is acceptable



KIRAN™

Double Bowl Sink with Faucet

MODELS: 216002



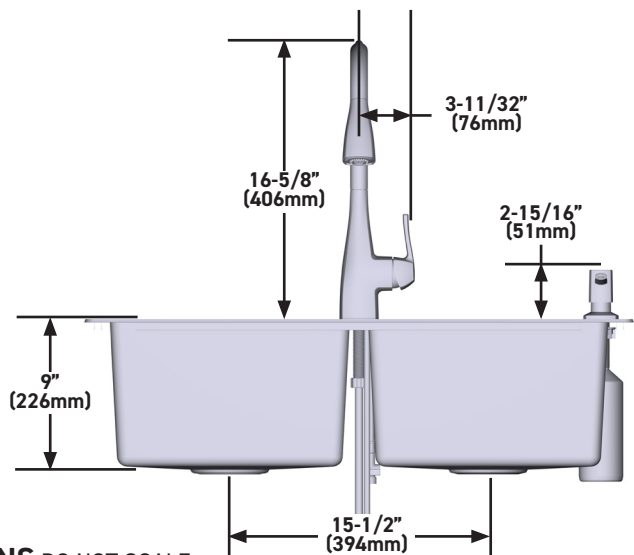
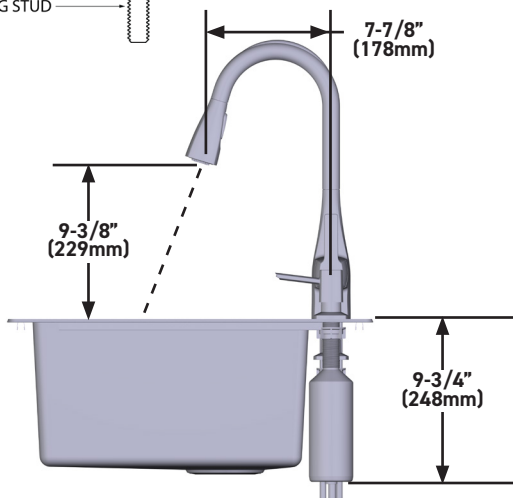
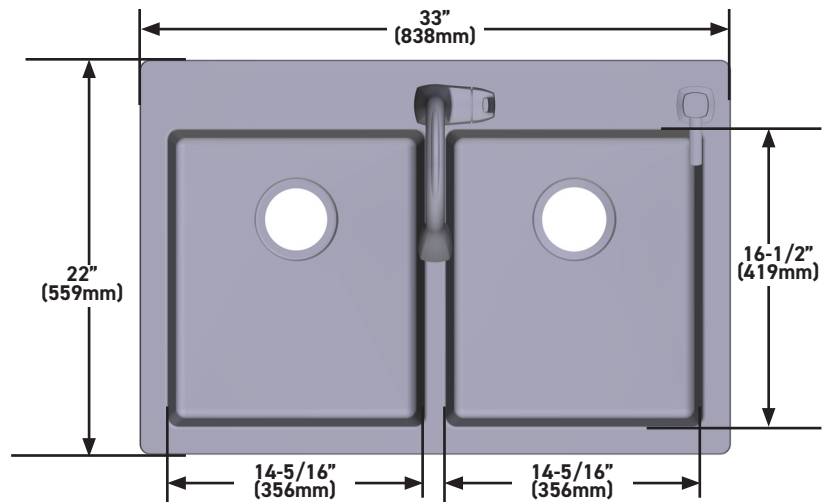
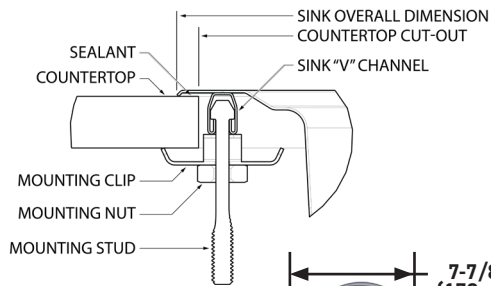
STANDARDS

- Third party certified by IAPMO to meet ASME A112.19.3/CSA B45.4 and all applicable specifications referenced therein
- Third party certified to ASME A112.18.1/CSA B 125.1, and all applicable requirements referenced therein including NSF 61/9 & 372
- Meets CalGreen and Georgia SB8370 requirements
- Complies with California Proposition 65 and with the Federal Safe Drinking Water Act
- The backflow protection system in the device consists of two independently operating check valves, a primary and a secondary which prevents backflow
- ADA for lever handle

WARRANTY

- Lifetime limited warranty against leaks, drips and finish defects to the original consumer purchaser
- 10 year limited warranty when used in a multifamily installation
- 5 year limited warranty when used in a commercial installation
- Visit www.moen.com/support for complete details and limitations

INSTALLATION DETAIL



CRITICAL DIMENSIONS DO NOT SCALE