

## DESCRIPTION

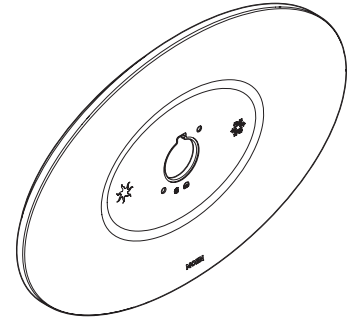
- Brass construction various finishes identified by suffix
- Designed to allow replacement of a 2 or 3 handle tub/shower valve
- Installation requires a minimum clearance of 6" between horizontal  $\text{C}$  (critical level) and spout outlet  $\text{C}$
- Fits all 1 handle tub/showers with 7" escutcheon

## STANDARDS

- Designed and manufactured to comply with the requirements of: ASME A112.18.1/ CSA B125.1 and all requirements referenced therein

## WARRANTY

- Warranted for one year against material or manufacturing defects



**Shower Escutcheon**

### Model

178755

178755BN

178755ORB

178755BL

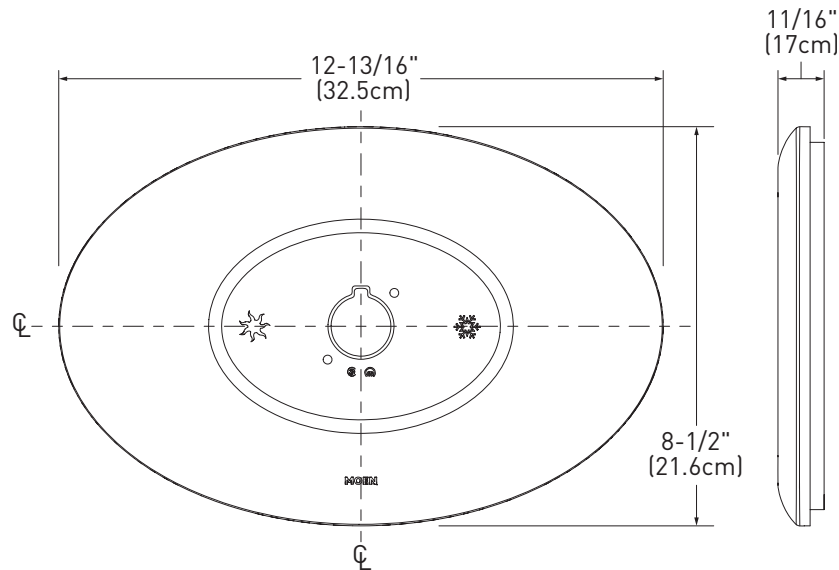
### Finish

Chrome

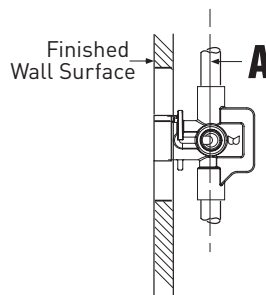
Brushed Nickel

Oil Rubbed Bronze

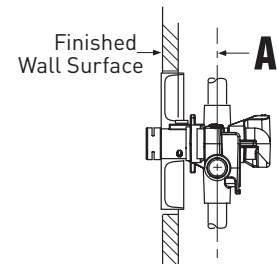
Matte Black



If dimension A in the diagrams below exceeds 2" for Posi-Temp valves or 1- 5/8" for Moentrolvalves a valve extension kit will be required. Please order the 96945 series kit for Posi-Temp valves and the 137347 series kits for Moentrolvalves (must designate finish)



**Posi-Temp Valve**



**Moentrol Valve**

## CRITICAL DIMENSIONS

(DO NOT SCALE)