

# MOEN®

# Specifications

## DESCRIPTION

- Metal construction with various finishes identified by suffix
- Includes showerhead, arm, flange and diverter spout
- Includes red and blue temperature markings

## OPERATION

- Handle operates counterclockwise through a 150° arc with off at 6 o'clock and maximum hot at the 1 o'clock position. Shut off in clockwise direction
- Adjustable temperature limit stop to control maximum hot water temperature
- Pressure balancing mechanism maintains selected discharge temperature to +/- 3.6°F (+/- 2°C)

## FLOW

- EP suffix models are limited to 1.75 gpm [6.6 L/min] at 80 psi

## CARTRIDGE

- 1212 cartridge design
- Nonmetallic/nonferrous and stainless steel materials
- Accommodates back to back installations

## STANDARDS

- Third party certified to ASME A112.18.1/CSA B-125-1, ASSE 1016/ASME A112.1016/CSA B.125.16 and all applicable requirements reference therein
- Moen's M-CORE™ pressure balance system is capable of meeting the pressure and temperature variation requirements of ASSE 1016/ASME A112.1016/CSA B125.16 when tested as low as 1.3 gpm [4.9 L/min]
- EP suffix models are third party certified to EPA WaterSense®
- ADA compliant for lever handle

## WARRANTY

- Lifetime limited warranty against leaks, drips and finish defects to the original homeowner
- 10 year limited warranty when used in a multifamily installation
- 5 year limited warranty when used in a commercial installation
- Visit [www.moen.com/support](http://www.moen.com/support) for complete details and limitations



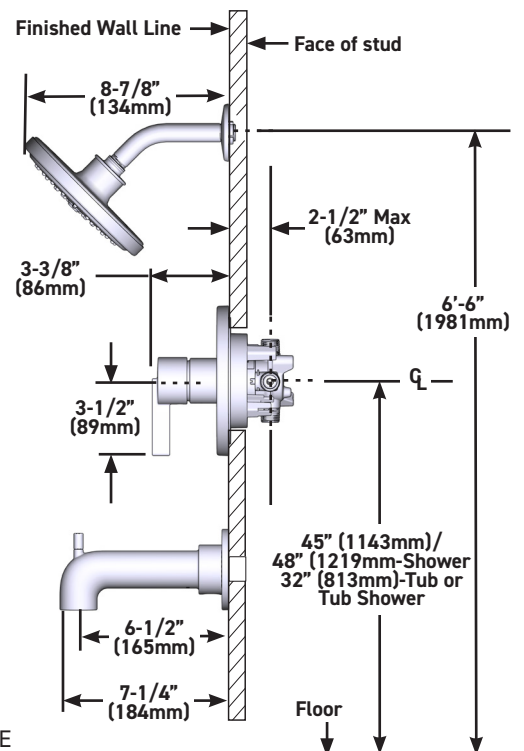
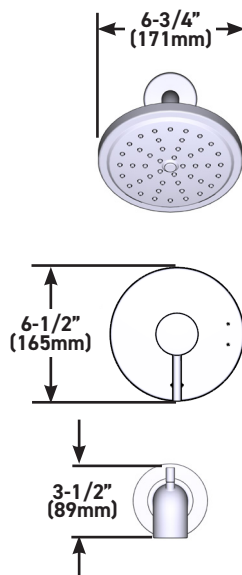
## CIA™

### Single-Handle MCore™ 2-Series Tub/Shower Trim Kit

- MODELS:** UT2261 series - valve trim only  
 UT2262EP series - shower trim only  
 UT2263EP series - tub/shower trim

#### NOTE:

Valves: U140 series, U130 series



## CRITICAL DIMENSIONS DO NOT SCALE