

## DESCRIPTION

- Elongated electric add-on bidet toilet seat

## OPERATION

- Use as a retrofit product to convert regular elongated toilet seats to an electronic cleansing eBidet

## INSTALLATION REQUIREMENTS

- Fits most elongated bowl (see below for specifications)
  - The distance between the 2 mounting holes must be between 4-9/10" and 7-1/2" (12.5cm - 19cm)
  - The distance from the supply valve to the eBidet inlet should be 19-7/10" (50cm) or less
  - The distance between the mounting holes and the edge of the toilet bowl must be between 17-7/10" and 19-3/10" (45cm - 49cm)
  - Requires minimum dynamic (flowing) water pressure of 10 psi (0.07MPa) and a maximum static (non-flowing) water pressure of 110 psi (0.75MPa)
- Required: 120V AC power outlet on a 10A minimum circuit
- 48 inch electrical cord included

## PRODUCT FEATURES

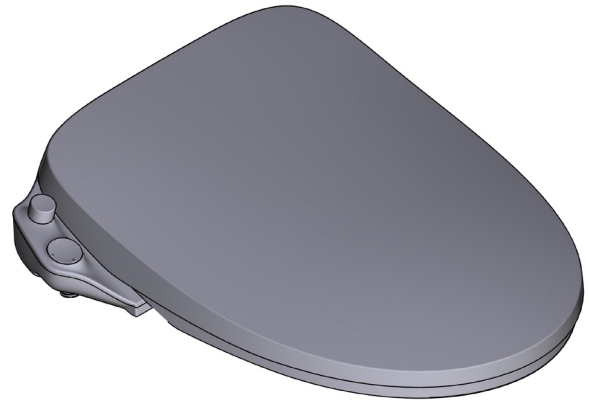
- Dual nozzles offer front and rear cleansing
- Pulsating and oscillating cleanse
- Water pressure and temperature adjustability
- Endless, instantaneous, warm water (inline water heater)
- Soft-close lid and seat
- Self-cleaning options with replaceable nozzles
- Nozzle positions adjustable with 5 positions
- Water Temperature, 4 levels: Cold, Warm, Hot, Off
- Seat Temperature, 4 levels: Cold, Warm, Hot, Off
- Hygienic and heated seat with temperature control and sensor
- Convenient control panel
- Nightlight
- Auto energy saver
- Retrofittable design featuring quick-release hinges

## STANDARDS

- Third party certified by Intertek:
- ASME A112.4.2 / CSA B45.16 Personal hygiene devices for water closets, which includes conformity to IAPMO / ANSI Z124.5 plastic toilet seats
- CSA C22.2 no. 68 Motor-operated appliances (household and commercial)
- CSA C22.2 no. 64 Household cooking and liquid-heating appliances
- UL 1431 standard for personal hygiene and health care appliances
- ADA Compliant

## WARRANTY

- Limited 3 year warranty against leaks and finish defects to the original consumer purchaser
  - 1 year warranty if used in commercial installations
- Visit [www.moen.com/support](http://www.moen.com/support) for complete details and limitations



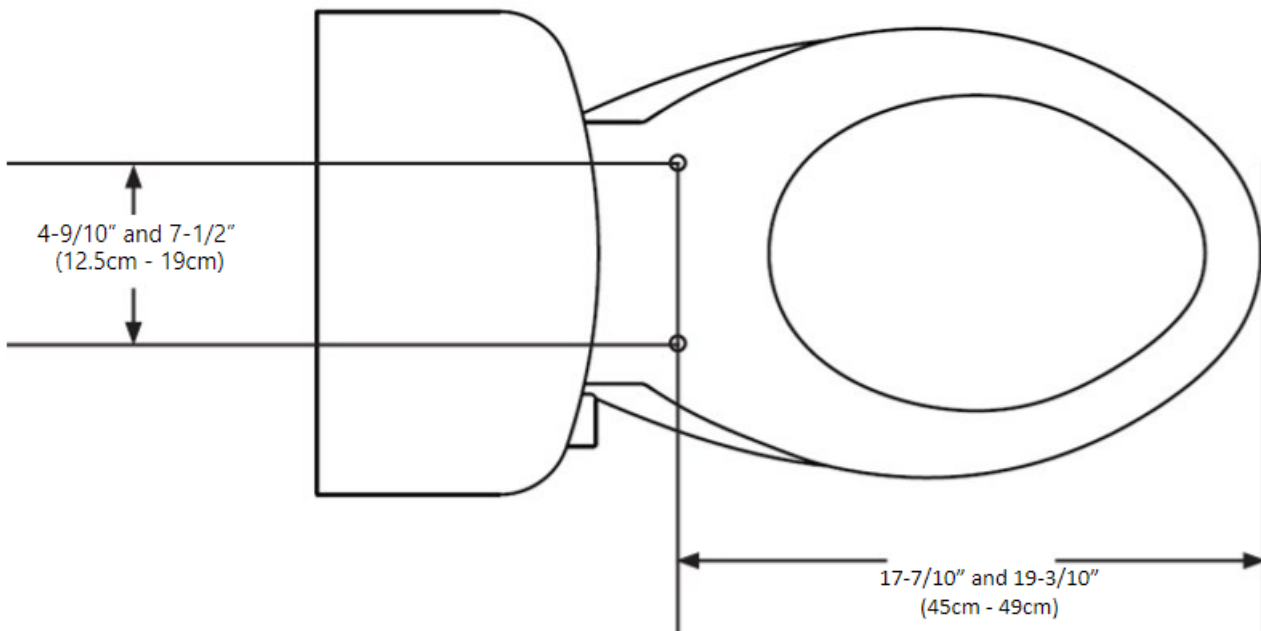
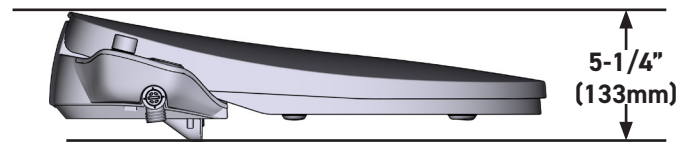
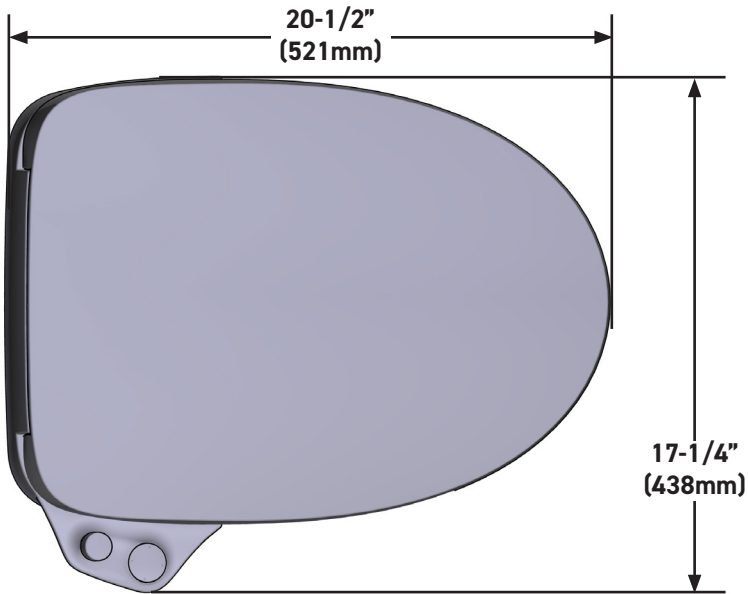
Moen®  
eBidet

**MODELS:** EB1000



## PRODUCT DETAILS

- Dimensions: 20-1/2" (521mm) x 17-1/4" (438mm) x 5-1/4" (133mm)
  - Gross Weight: 5.16 lb.
  - Rated Power Usage: 1050W
  - Length of Power Cord: 4.0 ft.
- Nozzle Flow Rates (Rear & Front): ≈20.29oz/min
  - Water Temperature: from Ambient to 102.2°F
- Heated Seat Temperature: from Ambient to 102.2°F
  - Water Supply Pressure: 0.07MPa to 0.75MPa
  - Water Supply Temperature: 41°F to 104°F
  - Ambient Temperature: 41°F to 104°F



**CRITICAL DIMENSIONS** DO NOT SCALE