

# Technical Specification

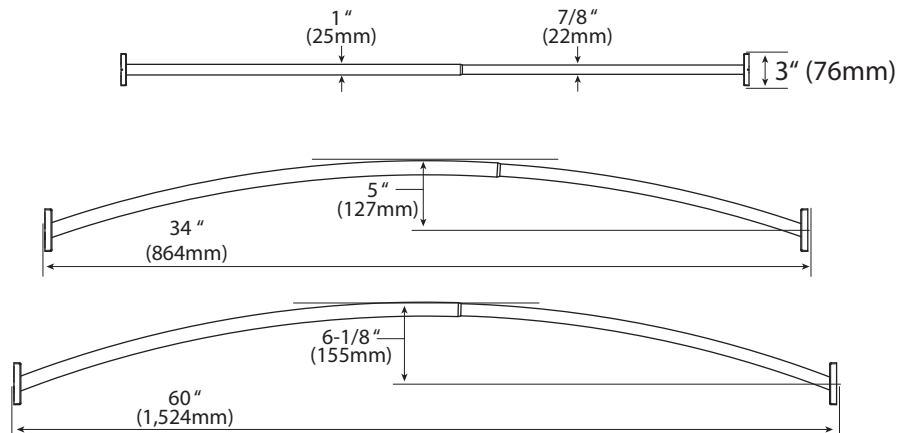
## Adjustable-Length Curved Shower Rod

CSR2168

### Stock Numbers:

- **CSR2168CH - Adjustable-Length Curved Shower Rod**  
Chrome Finish  
Adjusts to fit shower enclosures between 34-inches to 60-inches
- **CSR2168BN - Adjustable-Length Curved Shower Rod**  
Brushed Nickel Finish  
Adjusts to fit shower enclosures between 34-inches to 60-inches
- **CSR2168BL - Adjustable-Length Curved Shower Rod**  
Matte Black Finish  
Adjusts to fit shower enclosures between 34-inches to 60-inches

### Dimensions:



### Materials:

**Curved Shower Rods** are made of .028 (22 gauge) seamless type 430 stainless steel. **Decorative Covers** are stamped from .020 type 304 stainless steel.

**Pivoting Mounting Post** is made from POM. The **screw** in the pivoting post assembly is made from stainless steel.

**Rod connector** is made from polyethylene.

Stock Number: \_\_\_\_\_ CSR2168  
Adjustable-Length Curved Shower Rod

# MOEN®

25300 AL MOEN DRIVE • NORTH OLMSTED, OH 44070  
CONSUMER SUPPORT: (800) 289-6636 • FAX: (800) 848-6636  
INTERNATIONAL: (440) 962-2000 • FAX: (440) 962-2726  
CUSTOMER SERVICE (USA): 800-882-0116 • FAX: (888) 379-2720  
WWW.MOEN.COM  
© 2023 Moen Incorporated.